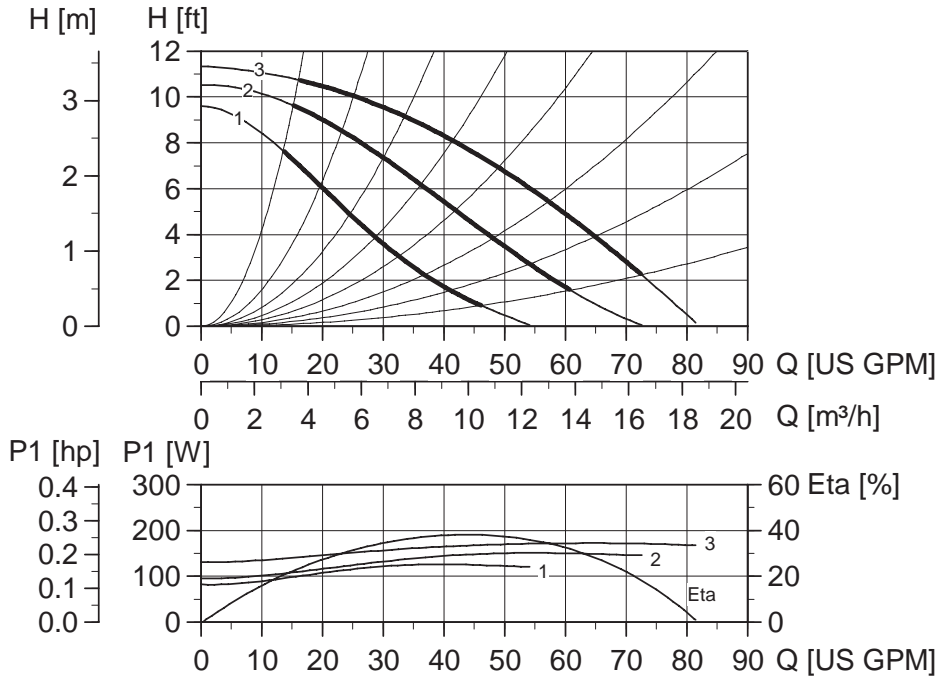


Performance curves

UPS 40-40/4
1 phase 115 V, 230 V, 60 Hz

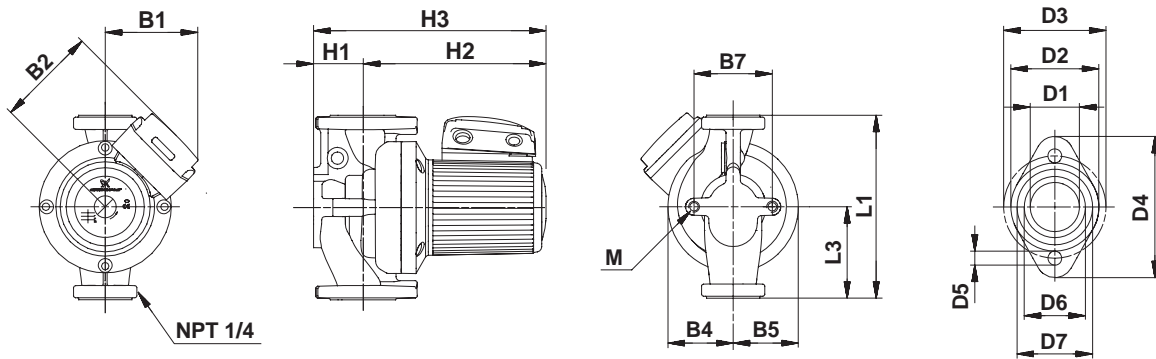
Performance curves



Note: ETA is calculated as wire-to-water efficiency.

Weights and volume

| | Cast Iron | | | | Bronze | | | |
|-----------------|-----------|-----------------|------|----------------|--------|-----------------|------|----------------|
| | lbs. | ft ³ | Kg | m ³ | lbs. | ft ³ | Kg | m ³ |
| Net weight | 37.9 | | 17.2 | | 42.3 | | 19.2 | |
| Gross weight | 46.1 | | 20.9 | | 50.5 | | 22.9 | |
| Shipping volume | | 1.70 | | 0.048 | | 1.70 | | 0.048 |



Dimensions

| | L1 | L3 | B1 | B2 | B4 | B5 | B7 | H1 | H2 | H3 | D1 | D2 | D3 | D4 | D5 | D6 | D7 | M |
|----------|--------|-------|--------|--------|----|----|-------|---------|---------|--------|-------|-------|--------|-----|-----|--------|--------|-----|
| [Inches] | 13 1/2 | 6 3/4 | 5 5/16 | 5 9/16 | 3 | 3 | 4 3/4 | 2 11/16 | 9 11/16 | 12 3/8 | 1 5/8 | 2 7/8 | 3 7/16 | 5 | 1/2 | 2 1/16 | 2 9/16 | |
| [mm] | 343 | 171.5 | 135 | 141 | 85 | 75 | 120 | 68 | 246 | 314 | 41.8 | 73 | 87 | 127 | 12 | 52 | 64.6 | M12 |