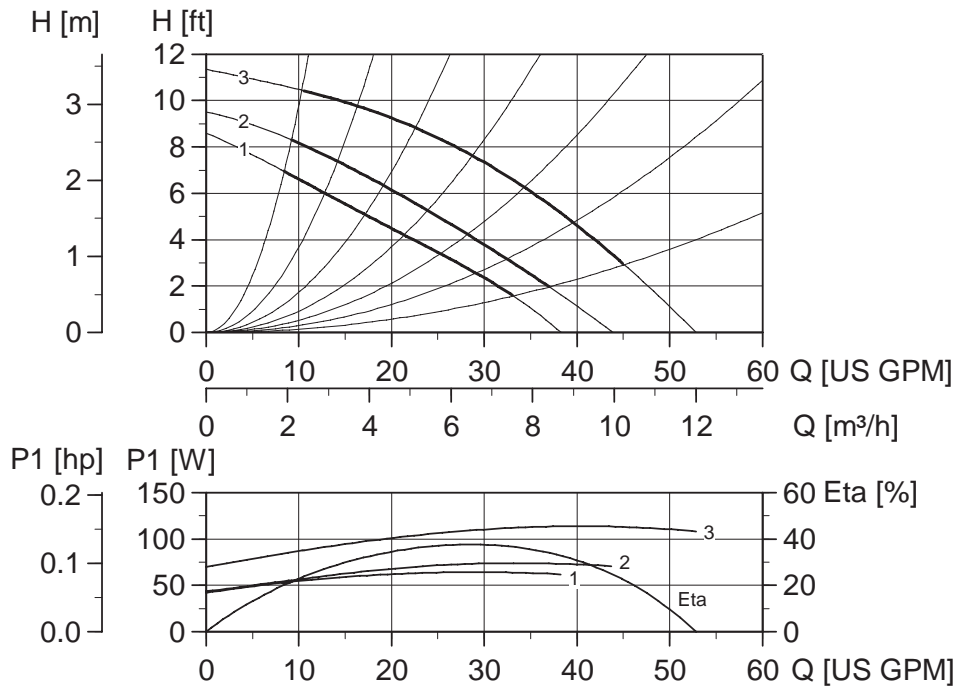


# Performance curves

UPS 32-40/4  
3 phase 208-230 V, 460 V, 575 V★, 60 Hz

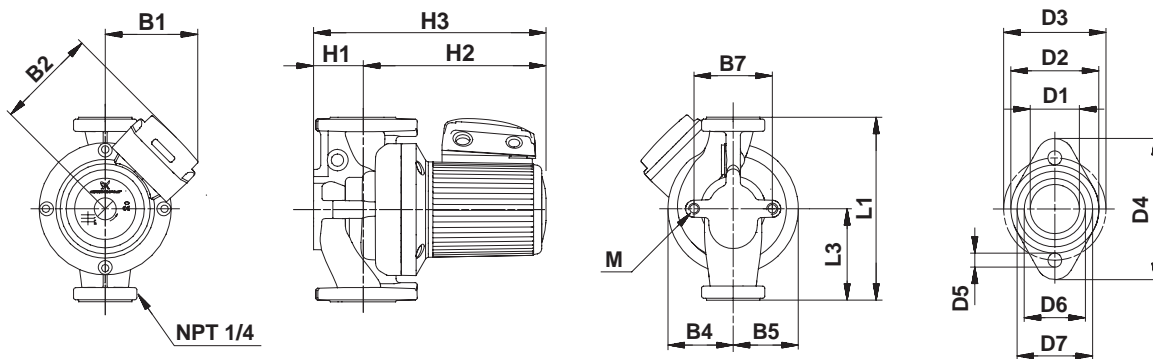
## Performance curves



Note: ETA is calculated as wire-to-water efficiency.

## Weights and volume

	Cast Iron				Bronze			
	lbs.	ft <sup>3</sup>	Kg	m <sup>3</sup>	lbs.	ft <sup>3</sup>	Kg	m <sup>3</sup>
Net weight	35.9		16.3		39.2		17.8	
Gross weight	44.1		20		47.4		21.5	
Shipping volume		1.70		0.048		1.70		0.048



## Dimensions

	L1	L3	B1	B2	B4	B5	B7	H1	H2	H3	D1	D2	D3	D4	D5	D6	D7	M
[Inches]	11	5 1/2	5 5/16	5 9/16	3	3	3 3/16	2 11/16	9 1/2	12 3/16	1 7/16	2 9/16	3 1/2	4 5/8	1/2	1 13/16	2 1/4	
[mm]	279.4	139.7	135	141	75	75	80	68	242	310	35.9	64	80	117	12	46	57	M12

★Canada only