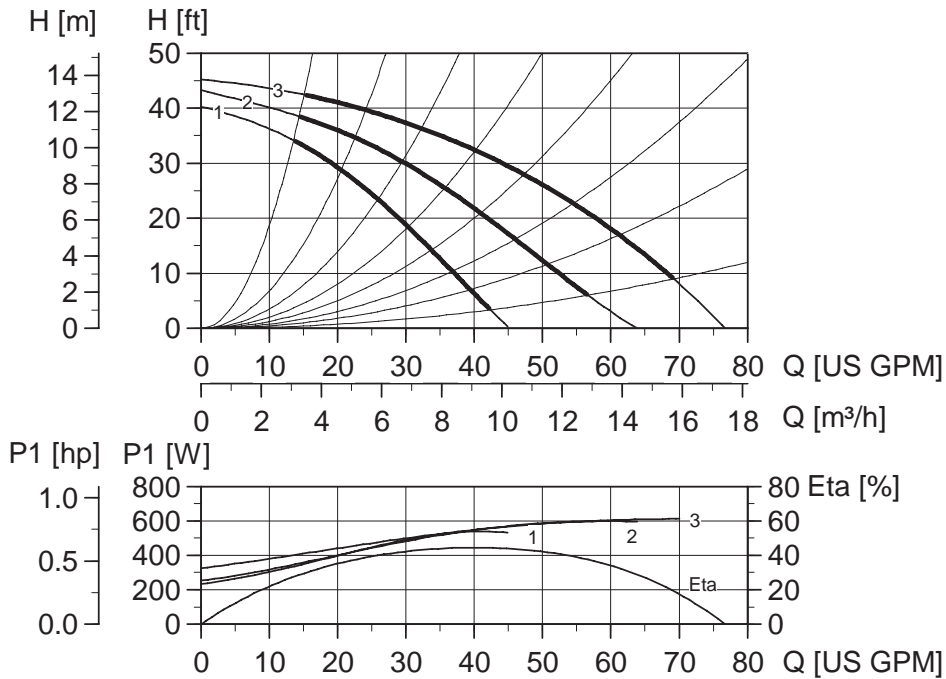


# Performance curves

UPS 32-160/2  
1 phase 115 V, 230 V, 60 Hz

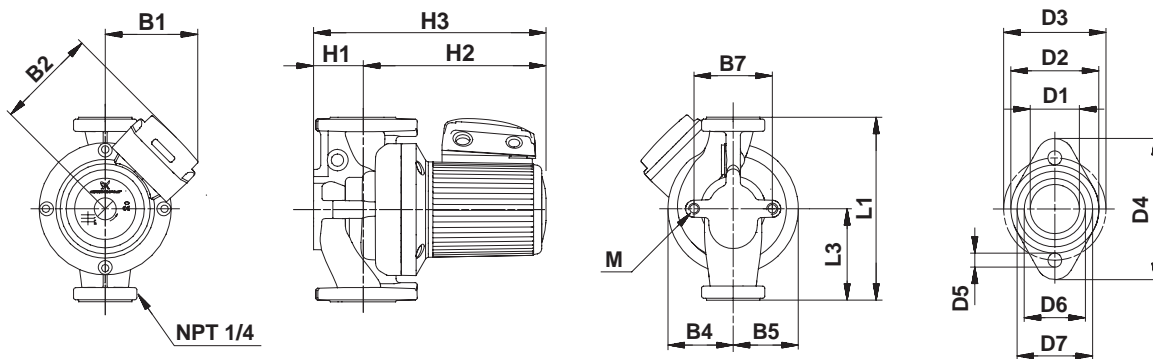
## Performance curves



Note: ETA is calculated as wire-to-water efficiency.

## Weights and volume

	Cast Iron				Bronze			
	lbs.	ft <sup>3</sup>	Kg	m <sup>3</sup>	lbs.	ft <sup>3</sup>	Kg	m <sup>3</sup>
Net weight	37.0		16.8		37.7		17.1	
Gross weight	45.2		20.5		45.9		20.8	
Shipping volume		1.70		0.048		1.70		0.048



## Dimensions

	L1	L3	B1	B2	B4	B5	B7	H1	H2	H3	D1	D2	D3	D4	D5	D6	D7	M
[Inches]	13 1/2	5 1/2	5 5/16	5 9/16	3	3	3 3/16	2 11/16	9 7/16	12 1/8	1 7/16	2 1/2	3 7/16	4 5/8	1/2	2 1/16	2 9/16	
[mm]	343	139.7	135	141	75	75	80	68	240	308	35.9	64	87	117	12	52	64.6	M12