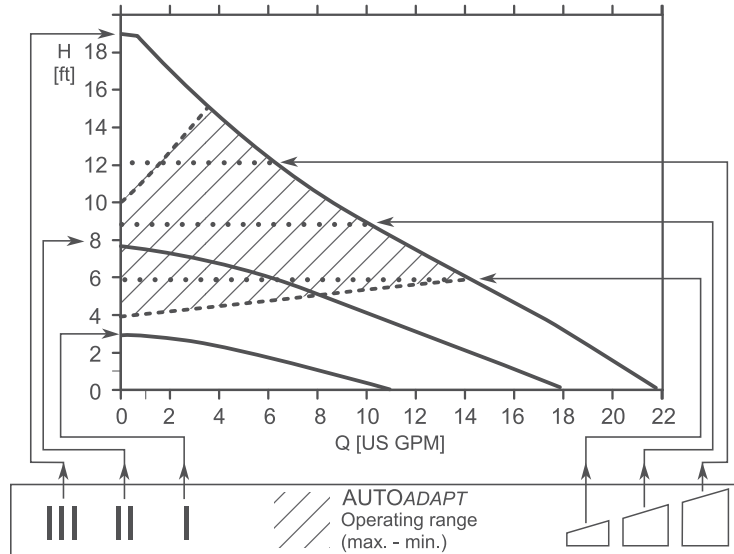


UP 15 ALPHA

Performance* and operation mode selection



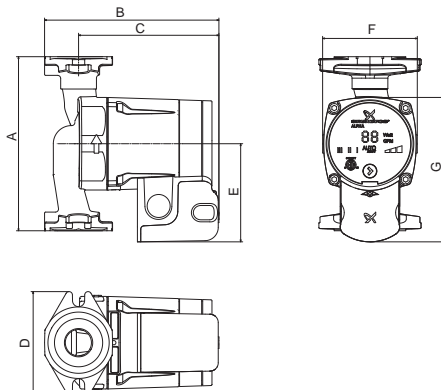
TM04 6025 0611

Pos.	Description
	<ul style="list-style-type: none"> Push-button for selection of pump setting Every time the push-button is pressed, the circulator setting is changed
III	<p>High Fixed Speed</p> <ul style="list-style-type: none"> Runs at a constant speed and consequently on a constant curve. In Speed III, the pump is set on the maximum curve under all operating conditions. Quick Vent of the pump can be obtained by setting the pump to Speed III for a short period.
II	<p>Medium Fixed Speed</p> <ul style="list-style-type: none"> Runs at a constant speed and consequently on a constant curve. In Speed II, the pump is set on the medium curve under all operating conditions.
I	<p>Low Fixed Speed</p> <ul style="list-style-type: none"> Runs at a constant speed and consequently on a constant curve. In Speed I, the pump is set on the minimum curve under all operating conditions.

Pos.	Description
	<p>Constant Pressure I</p> <ul style="list-style-type: none"> The duty point of the pump will move left and right along the lowest constant-pressure curve depending on water demand in the system. The pump head (pressure) is kept constant, irrespective of the water demand.
	<p>Constant Pressure II</p> <ul style="list-style-type: none"> The duty point of the pump will move left and right along the middle constant-pressure curve depending on water demand in the system. The pump head (pressure) is kept constant, irrespective of the water demand.
	<p>Constant Pressure III</p> <ul style="list-style-type: none"> The duty point of the pump will move left and right along the highest constant-pressure curve depending on water demand in the system. The pump head (pressure) is kept constant, irrespective of the water demand.
	<p>AutoAdapt (Factory Setting)</p> <ul style="list-style-type: none"> This function controls the pump performance automatically within the defined performance range. Automatically adjusting the pump performance to system demands over time.

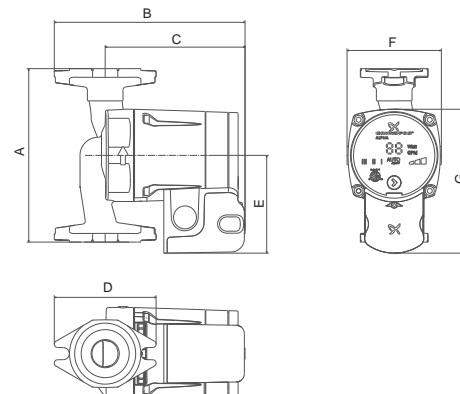
*Hydraulic performance without check valve.

ALPHA 15-55 F Terminal box



TM04 9773 0111

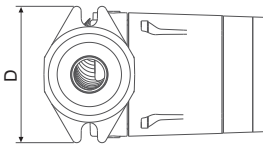
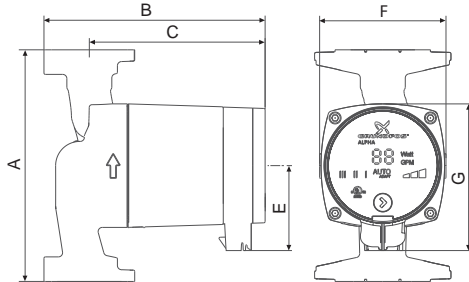
ALPHA 15-55 FR Terminal box



TM04 9774 0111

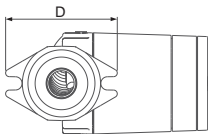
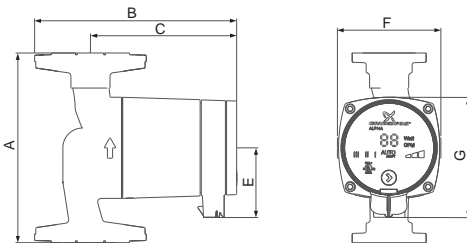
UP 15 ALPHA

ALPHA 15-55 F Linecord



TM04 6012 4709

ALPHA 15-55 FR Linecord



TM04 6013 4709

Flow range:	0-21.5 gpm
Head range:	0-17 feet
Motors:	2-pole, single-phase
Max. liquid temperature:	230 °F (110 °C)
Min. liquid temperature:	36 °F (2 °C)
Max. system pressure:	150 psi (10 bar)
Closed (F, FR) and Open systems (SF)	

Model	Volts	Amps	Watts	Hp	Capacitor
ALPHA 15-55	115	0.65	5 to 45	0.06	-

Approximate power usage

Speed setting		Min.	Max.
High fixed speed	III	39W	45W
Medium fixed speed	II	15W	30W
Low fixed speed	I	5W	8W
Constant pressure		8W	45W
Constant pressure		14W	45W
Constant pressure		22W	45W
AutoADAPT		5W	45W

Approvals



Canadian EMC Standard: ICES-003
This Class B digital apparatus complies with Canadian ICES-003.

Model type	Product number	Dimensions [inches]								Connection type and size	Shipping weight [lbs]
		A	B	C	D	E	F	G			
ALPHA 15-55 F	59896877	6 1/2	6 1/2	5 1/4	3 13/16	3 11/16	3 9/16	5 3/8	GF 15/26 (2) 1/2" dia. bolt holes	7.20	
ALPHA 15-55 FR	59896878	6 1/2	7 3/16	5 1/4	3 13/16	3 11/16	3 9/16	5 3/8		7.10	
ALPHA 15-55 SF	59896879	6 1/2	6 1/2	5 1/4	3 13/16	3 11/16	3 9/16	5 3/8		6.10	
ALPHA 15-55 F/LC	59896832	6 1/2	6 1/2	4 15/16	4	2 1/2	3 7/16	4 1/8	GF 15/26 (2) 1/2" dia. bolt holes	7.50	
ALPHA 15-55 FR/LC	59896833	6 1/2	7	4 15/16	4	2 1/2	3 7/16	4 1/8		7.33	
ALPHA 15-55 SF/LC	59896834	6 1/2	6 1/2	4 15/16	4	2 1/2	3 7/16	4 1/8		6.25	

Note: Dimensions in inches unless otherwise noted.