

RED Centrifugal Roof Exhausters

Direct Drive

Catalog RED01-July 2007



The World's Leading Producer of
Air Movement Products



Soler & Palau USA, Div. of Soler & Palau Ventilation Group, certifies that the Models LPD & RED shown herein are licensed to bear the AMCA Seal. The ratings shown are based on test and procedures performed in accordance with AMCA Publication 211 and AMCA Publication 311 and comply with the requirement of the AMCA Certified Ratings Program.

Soler&Palau  Ventilation Group

COMMERCIAL PRODUCT LINE

Application

Model RED direct drive units are roof mounted centrifugal exhausters rated from 46 to over 3000 CFM, with static pressure capabilities to 1 inch. They are used to exhaust air from all types of commercial and institutional buildings such as hospitals and health care facilities, schools, recreational buildings, machinery and equipment rooms, offices, retail stores and similar applications.

The nonoverloading backward inclined wheel with its higher static pressure capability makes this unit suitable for either ducted or nonducted applications. Its roof mounting permits location near the area to be ventilated, allowing short duct runs and more efficient operation.

The spun aluminum exterior provides an attractive appearance and is compatible with belt driven Model DB and companion gravity units to make up a complete ventilation system. Direct drive units use smaller diameter wheels with lower rpm's, resulting in low sound levels and quiet operation. They have no belts or fan bearings to maintain or adjust and consequently require very little maintenance.

Construction/Specification Checklist

Housing

- Curb cap has integral deep spun inlet for efficient performance and prepunched mounting holes for ease of installation.
- Fan plate isolates motor compartment from contaminated exhaust air.
- Spun aluminum hood and skirt for weather protection and attractive appearance.
- Heavy-gauge motor support for rigidity and strength.
- Neoprene isolators for reduction of vibration and sound.
- Quick access to motor compartment for ease of maintenance.
- Conduit passage for easy electrical connection from below roof.
- Birdscreen and disconnect are included on standard models; (excluding explosion proof and 2-speed motors).

Wheel

- Backward inclined for efficiency at higher static pressure.
- Nonoverloading for safe operation in ducted systems.
- Tapered blades for efficiency and quiet operation.
- Wheels constructed of noncorrosive aluminum.
- Statically and dynamically balanced for smooth operation.

Speed Controllable Motors

- Brands are nationally recognized and locally serviced.
- Standard motors are single speed, speed controllable and drip-proof.
- All motors are rated for continuous duty.
- Disconnect is standard with single speed drip-proof motors.
- Motors ship mounted as standard.

AMCA Seal

- Assures rating of Air and Sound performance.

UL Label

- UL 705 Listing assures electrical reliability.
- UL 705 must be specified when required.

Options/Accessories

Solid State Speed Control: Soler & Palau's solid state control is matched to the motor and blower wheel to allow continuous reduction in performance allowing adjustments of airflow for system balancing. CFM is reduced in direct proportion to motor speed reduction. Speed control is available for 115 or 230 volt single phase. Exhauster performance can be controlled from the ventilated area.

Roof Curb: Prefabricated heavy-gauge galvanized steel welded construction, 12" high with 1-1/2" wood nailer. Assures perfect fit of exhauster to roof curb. Options include burglar bars, single and double pitch construction, and additional curb heights.

Sound Curb: Option of thermal acoustical lining or a complete maximum sound attenuating baffle system. Provision for mounting damper is available. Contact factory for information regarding effect on exhauster air performance and sound level.

Motor Operated Aluminum Damper: Motor operated for positive closure against backdraft.

Automatic Damper: Automatic aluminum damper for ease in installation and effective backdraft protection.

Companion Gravity Units: Model RCX-II comes in a wide range of sizes and air capacities to provide relief or intake air to the system. Curbs and dampers are available to fit all sizes. Spun aluminum hoods provide a pleasing appearance, complementing the Model RED exhauster.

Curb Hinge Arrangement: The curb hinge arrangement provides easy access to the exhaust fan, backdraft damper, and duct for servicing and cleaning.

Special Coatings: Powered roof exhausters often require special coatings for protective and decorative purposes. Available coatings include: Epoxy, Eisenheiss, and Heresite (air-dried phenolic). Contact your Soler & Palau representative or the factory for more information on available coatings and colors.

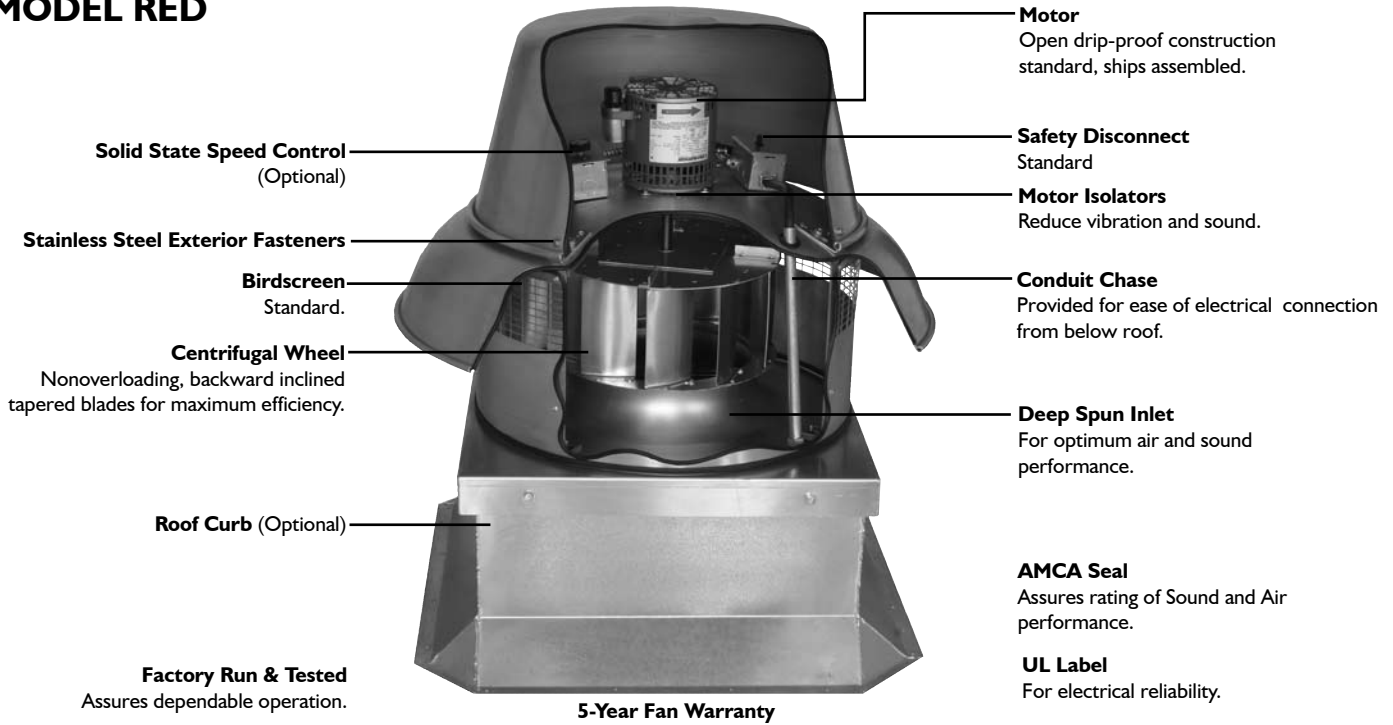
Quickship Program

All RED Models and many optional accessories are available on the Soler & Palau Quickship Program. This program provides rapid delivery of standard products so that tight project deadlines can be met and downtime on replacement work can be held to a minimum.

All specifications are subject to change without notice unless approved in submittal by Soler & Palau.



MODEL RED



Typical Specifications

Roof exhaust fan shall be of the centrifugal direct drive type. Unit shall be constructed of aluminum for durability and appearance. Fan skirts shall have a rolled bead edge for rigidity. Units shall have a deep venturi inlet to prevent against snow and rain entry into building.

Fan wheels shall be of the centrifugal backward inclined type, constructed of aluminum and containing a matching inlet venturi for optimum unit performance. Wheels shall be statically and dynamically balanced.

Motor assembly shall be isolated from unit to eliminate vibration and noise transmission. Motor and wheel assemblies shall be removable as a complete module without complete disassembly of the unit for service and maintenance. Motors shall be mounted out of the exhaust airstream and cooled by

air separate from the exhaust. Motors for use with speed control shall be closely matched to the fan load and provide good speed controllability without any objectionable noise. Motor shall contain thermal overload protection and be listed by UL.

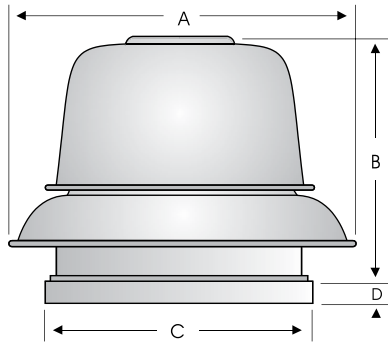
A disconnect switch and birdscreen will be included. A conduit chase shall be provided through the curb cap to the motor compartment.

Fans shall bear the AMCA ratings seal for Sound and Air performance. Fans shall carry the UL listing mark. Fans shall bear a permanently attached nameplate displaying model and serial number of unit for future identification.

Fans shall be Model RED as manufactured by Soler & Palau USA, Jacksonville, Florida.

SOLER & PALAU USA LIMITED WARRANTY

Soler & Palau USA (manufacturer), 6393 Powers Avenue, Jacksonville, Florida 32217, warrants equipment of its manufacture to be free from defects in design, materials and workmanship (exclusive of abrasion, corrosion or erosion) for five (5) years from the date of receipt or the date of shipment to the original purchaser or the date of notification of readiness to ship. Motor warranty is one (1) year. In order to claim the benefit of this warranty, buyer must notify manufacturer in writing of the claimed defect within ten (10) days after discovering it and return this equipment or parts to the factory with transportation prepaid. In the event of on-site repair, no service technician will be dispatched until manufacturer receives your written purchase order. If any of the following conditions exist, the warranty will be null and void: **(1)** Buyer has permitted other persons not approved or authorized by manufacturer to alter, adjust, replace or repair the equipment or any part thereof. **(2)** Buyer has not followed instructions or other directions given in the contract documents or our maintenance manual. **(3)** When breakage or other loss or damage is the result of any negligence, misuse or fault on the part of any operator or other person not under our supervision or control. **(4)** The defect is the result of designs or drawings made, furnished or specified by others. **(5)** In the case of goods not manufactured but supplied by the manufacturer as part of a contract, manufacturer shall only be liable to the same extent that our supplier is to manufacturer, not to exceed any liability manufacturer would have for warranty on our own equipment. **(6)** Buyer has not paid in full any invoices submitted to buyer which are due for payment. **(7)** Unusual wear and tear of the equipment. Statements relating to the product, its use or installation made prior to the execution of the agreement, are not warranties except to the extent that the contrary is expressly set forth herein. It is understood that such statements were not intended to, and did not, form a part of the agreement; they were merely made in the course of negotiations of the parties. **THIS WARRANTY IS IN LIEU OF ANY OTHER EXPRESS OR IMPLIED WARRANTIES, INCLUDING ANY IMPLIED WARRANTY OF MERCHANTABILITY OR FITNESS FOR ANY PARTICULAR PURPOSE. OUR SOLE AND EXCLUSIVE OBLIGATION UNDER THIS WARRANTY IS TO REPAIR OR REPLACE DEFECTIVE EQUIPMENT OR PARTS OR, AT OUR OPTION, TO PAY THE REASONABLE COST OF REPAIR OR REPLACEMENT. BUYER AGREES THAT NO OTHER REMEDY (INCLUDING, BUT NOT LIMITED TO, INCIDENTAL OR CONSEQUENTIAL DAMAGES, DAMAGES FOR LOST PROFITS OR SALES, OR DAMAGES FOR INJURIES TO PERSON OR PROPERTY) SHALL BE AVAILABLE. NOTWITHSTANDING THE ABOVE, THE TOTAL AMOUNT THAT MAY IN ANY EVENT BE PAYABLE IN SETTLEMENT OF LIABILITY, HOWEVER INCURRED, SHALL NOT EXCEED THE CONTRACT PRICE.**



Dimensional Data								Average Ship Wt. Lbs.
Damper		Roof Opening	Curb O.D.	A	B	C	D	
I.D.	O.D.							
11	11	11-3/4	14-3/4	21-3/4	12	16-1/2	1-3/4	50

Fan RPM performances may vary from actual current motor offerings for any given model. See price publications or software for current motor RPM offerings

Model RED6

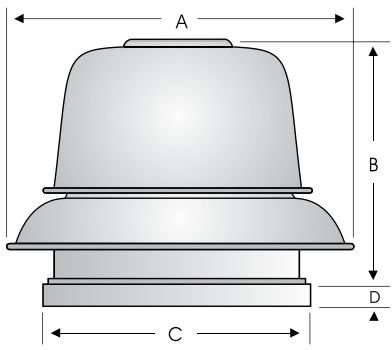
	CFM/BHP @ Static Pressure/Sones									HP	RPM (Nom.)	Tip Speed
	0	1/8	1/4	3/8	1/2	5/8	3/4	7/8	1			
RED6	46 .02/3.4	27 .02/2.8	-	-	-	-	-	-	-	1/10	1050	2237
	59 .03/6.2	45 .03/5.3	29 .03/5.3	-	-	-	-	-	-	1/10	1350	2876
	75 .04/11.1	63 .04/9.8	51 .04/9.3	39 .04/9.4	26 .04/9.4	-	-	-	-	1/10	1700	3621
	85 .02/2.8	54 .02/2.2	-	-	-	-	-	-	-	1/10	950	2024
	108 .03/4.7	85 .03/3.9	53 .03/3.9	-	-	-	-	-	-	1/10	1200	2556
	130 .04/7.5	112 .04/6.4	90 .04/6.3	61 .04/6.3	-	-	-	-	-	1/10	1450	3089
	153 .05/11.1	137 .06/9.8	120 .06/9.3	100 .05/9.4	76 .05/9.4	-	-	-	-	1/10	1700	3621
	224 .02/2.5	133 .02/2.4	-	-	-	-	-	-	-	1/10	950	2024
	236 .02/2.8	152 .02/2.8	-	-	-	-	-	-	-	1/10	1000	2130
	248 .02/3.2	171 .02/3.1	-	-	-	-	-	-	-	1/10	1050	2237
	260 .02/3.5	187 .02/3.5	-	-	-	-	-	-	-	1/10	1100	2343
	272 .03/3.9	204 .03/3.8	-	-	-	-	-	-	-	1/10	1150	2450
	284 .03/4.2	219 .03/4.2	118 .02/4.3	-	-	-	-	-	-	1/10	1200	2556
	295 .03/4.6	234 .03/4.6	146 .03/4.7	-	-	-	-	-	-	1/10	1250	2663
	307 .03/5.0	249 .03/5.0	170 .03/5.1	-	-	-	-	-	-	1/10	1300	2769
	319 .03/5.4	264 .03/5.4	191 .03/5.5	-	-	-	-	-	-	1/10	1350	2876
	331 .04/6.2	278 .04/5.8	210 .04/5.9	-	-	-	-	-	-	1/10	1400	2982
	343 .04/6.2	293 .04/6.2	229 .04/6.3	131 .04/6.4	-	-	-	-	-	1/10	1450	3089
	354 .04/6.6	307 .04/6.6	246 .04/6.7	162 .04/6.9	-	-	-	-	-	1/10	1500	3195
	366 .05/7.0	320 .05/7.0	263 .05/7.2	188 .04/7.3	-	-	-	-	-	1/10	1550	3302
378 .05/7.4	334 .05/7.5	279 .05/7.6	211 .05/7.8	-	-	-	-	-	1/10	1600	3408	
390 .05/7.9	347 .05/8.0	295 .05/8.1	232 .05/8.2	134 .05/8.4	-	-	-	-	1/10	1650	3515	

(1) Model RED 6 C series has choke plate.
 Model RED 6 S requires speed control for listed rpm.
 Performance certified is for installation type A-free inlet, free outlet.
 Performance ratings include the effects of birdscreen in the airstream.
 The sound ratings shown are loudness values in fan sones @ 5' (1.5m) in a hemispherical free field calculated per AMCA Standard 301. Values shown are for Installation Type A-free inlet fan sone levels.
 * Base Unit-AMCA Seal for Sound Rating does not apply to units with speed control.
 + RPM range capable with solid state speed control.
 Speed (RPM) shown is nominal. Performance is based on actual speed of test.



Soler & Palau USA, Div. of Soler & Palau Ventilation Group, certifies that the Models RED shown herein are licensed to bear the AMCA Seal. The ratings shown are based on test and procedures performed in accordance with AMCA Publication 211 and AMCA Publication 311 and comply with the requirement of the AMCA Certified Ratings Program.





Dimensional Data									
Size	Damper		Roof Opening	Curb O.D.	A	B	C	D	Average Ship Wt. Lbs.
	I.D.	O.D.							
RED812/810	11	11	11-3/4	14-3/4	21-3/4	13-1/2	16-1/2	1-3/4	50
RED8167	11	11	11-3/4	14-3/4	21-3/4	15-3/4	16-1/2	1-3/4	50
RED10	11	11	11-3/4	14-3/4	21-3/4	17-1/4	16-1/2	1-3/4	50

Fan RPM performances may vary from actual current motor offerings for any given model. See price publications or software for current motor RPM offerings

Models RED8 and RED10

RED8

RED10

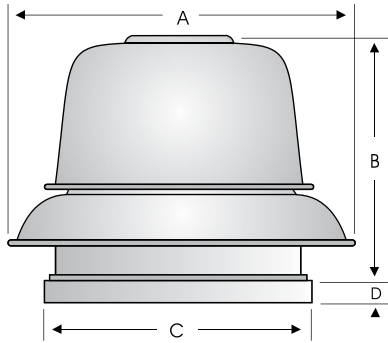
CFM/BHP @ Static Pressure/Sones									HP	RPM (Nom.)	Tip Speed
0	1/8	1/4	3/8	1/2	5/8	3/4	7/8	1			
409 .02/2.5	238 .02/1.8	-	-	-	-	-	-	-	1/25	750	1995
464 .03/3.3	325 .03/2.7	-	-	-	-	-	-	-	1/25	850	2261
518 .03/4.1	399 .03/3.6	216 .03/3.1	-	-	-	-	-	-	1/25	950	2527
573 .04/4.9	468 .04/4.5	326 .04/4.1	-	-	-	-	-	-	1/25	1050	2793
627 .05/5.9	535 .05/5.5	417 .05/5.1	249 .05/4.7	-	-	-	-	-	1/10	1150	3059
682 .06/6.8	599 .07/6.4	496 .07/6.0	362 .06/5.7	183 .05/5.6	-	-	-	-	1/10	1250	3325
736 .08/7.8	661 .08/7.4	569 .08/7.0	460 .08/6.7	314 .07/6.5	-	-	-	-	1/10	1350	3591
791 .09/8.9	721 .10/8.4	638 .10/8.0	545 .10/7.7	425 .09/7.5	276 .08/7.4	-	-	-	1/10	1450	3857
818 .10/9.4	751 .10/8.9	672 .11/8.5	584 .11/8.3	476 .10/8.0	340 .09/7.8	170 .08/7.7	-	-	1/10	1500	3990
845 .11/10.0	781 .11/9.5	705 .12/9.1	622 .12/8.8	523 .11/8.6	398 .11/8.3	251 .09/8.2	-	-	1/10	1550	4123
954 .16/12.1	897 .16/11.6	836 .16/11.1	764 .16/10.8	688 .16/10.6	600 .16/10.3	494 .15/10.1	371 .14/10.0	233 .12/9.9	1/4	1750	4655
808 .06/4.9	640 .06/4.2	403 .05/4.0	-	-	-	-	-	-	1/4	900	2889
897 .07/5.9	750 .07/5.2	559 .07/5.0	299 .06/4.7	-	-	-	-	-	1/4	1000	3210
987 .09/6.8	856 .09/6.3	696 .09/5.8	489 .08/5.6	-	-	-	-	-	1/4	1100	3531
1077 .12/7.9	958 .12/7.4	821 .12/7.0	648 .11/6.8	438 .10/6.7	-	-	-	-	1/4	1200	3852
1167 .15/9.0	1058 .15/8.5	936 .15/8.1	790 .14/7.9	615 .13/7.7	405 .11/7.5	-	-	-	1/4	1300	4173
1256 .18/10.2	1156 .18/9.7	1046 .18/9.3	920 .18/9.1	769 .17/8.9	597 .16/8.7	390 .14/8.5	-	-	1/4	1400	4494
1346 .22/11.5	1253 .22/11.0	1152 .22/10.6	1042 .22/10.3	910 .21/10.1	762 .20/9.9	594 .18/9.8	393 .16/9.6	-	1/4	1500	4815
1391 .25/12.1	1301 .25/11.7	1204 .25/11.3	1099 .24/10.9	977 .23/10.7	838 .22/10.5	682 .21/10.4	504 .19/10.2	279 .16/10.1	1/4	1550	4976
1436 .27/12.8	1348 .27/12.4	1256 .27/12.0	1155 .26/11.7	1041 .26/11.4	910 .25/11.2	766 .24/11.0	604 .22/10.8	412 .16/10.7	1/4	1600	5136
1481 .29/13.5	1396 .29/13.0	1307 .29/12.6	1211 .29/12.3	1104 .28/12.1	981 .27/12.0	845 .26/11.8	695 .25/11.6	524 .23/11.4	1/3	1650	5297
1526 .32/14.2	1443 .32/13.8	1358 .32/13.3	1265 .32/12.9	1165 .13/12.7	1048 .30/12.6	921 .29/12.4	781 .28/12.3	625 .26/12.1	1/3	1700	5457

(1) Models with S in the number require speed control.
 Performance certified is for installation type A-free inlet, free outlet.
 Performance ratings include the effects of birdscreen in the airstream.
 The sound ratings shown are loudness values in fan sones @ 5' (1.5m) in a hemispherical free field calculated per AMCA Standard 301. Values shown are for Installation Type A-free inlet fan sone levels.
 * Base Unit-AMCA Seal for Sound Rating does not apply to units with speed control.
 + RPM range capable with solid state speed control.
 Speed (RPM) shown is nominal. Performance is based on actual speed of test.



Soler & Palau USA, Div. of Soler & Palau Ventilation Group, certifies that the Models RED shown herein are licensed to bear the AMCA Seal. The ratings shown are based on test and procedures performed in accordance with AMCA Publication 211 and AMCA Publication 311 and comply with the requirement of the AMCA Certified Ratings Program.





Dimensional Data								
Damper		Roof Opening	Curb O.D.	A	B	C	D	Average Ship Wt. Lbs.
I.D.	O.D.							
18	18	19-1/4	22-1/4	33-1/8	23-1/2	24	2	124

Fan RPM performances may vary from actual current motor offerings for any given model. See price publications or software for current motor RPM offerings

Models RED12 and RED15

	CFM/BHP @ Static Pressure/Sones									HP	RPM (Nom.)	Tip Speed
	0	1/8	1/4	3/8	1/2	5/8	3/4	7/8	1			
RED12	1209 .07/6.5	959 .08/5.8	708 .08/5.4	456 .08/5.3	-	-	-	-	-	1/4	900	3393
	1277 .08/7.1	1042 .09/6.4	797 .09/6.0	570 .09/5.8	-	-	-	-	-	1/4	950	3582
	1344 .10/7.6	1123 .10/6.9	884 .10/6.6	674 .10/6.3	423 .10/6.2	-	-	-	-	1/4	1000	3770
	1411 .11/8.2	1202 .11/7.6	970 .12/7.1	771 .12/7.0	553 .12/6.9	-	-	-	-	1/4	1050	3959
	1478 .13/8.9	1280 .13/8.2	1057 .13/7.8	863 .14/7.5	665 .14/7.4	419 13/7.2	-	-	-	1/4	1100	4147
	1545 .14/9.6	1356 .15/8.9	1144 .15/8.4	952 .15/8.2	769 .15/8.0	558 .15/7.8	-	-	-	1/4	1150	4336
	1613 .16/10.2	1432 .16/9.6	1231 .16/9.1	1040 .17/8.8	866 .17/8.6	678 .17/8.4	442 .16/8.2	-	-	1/2	1200	4524
	1680 .18/11.0	1506 .18/10.2	1317 .18/9.7	1126 .19/9.5	960 .19/9.3	786 .20/9.1	587 .19/8.9	-	-	1/2	1250	4713
	1747 .20/11.7	1580 .20/11.0	1401 .21/10.3	1212 .21/10.1	1050 .22/9.9	888 .22/9.8	710 .22/9.5	491 .20/9.1	-	1/2	1300	4901
	1814 .22/12.5	1653 .23/11.8	1484 .23/11.1	1299 .23/10.8	1139 .24/10.6	984 .42/10.4	821 .24/10.3	633 .23/10.0	376 .21/9.8	1/2	1350	5090
	1881 .25/13.2	1726 .25/12.5	1565 .26/11.8	1387 .26/11.7	1226 .26/11.4	1077 .27/11.2	924 .27/11.0	757 .27/10.7	556 .25/10.5	1/2	1400	5278
	1949 .28/14.0	1798 .28/13.3	1645 .28/12.6	1474 .28/12.3	1312 .29/12.1	1168 .30/12.0	1023 .30/11.8	869 .30/11.6	695 .29/11.4	1/2	1450	5467
	2016 .30/14.8	1870 .31/14.1	1723 .31/13.4	1560 .31/13.0	1398 .32/12.8	1257 .32/12.6	1118 .33/12.5	974 .33/12.4	817 .33/12.2	1/2	1500	5655
	2083 .33/15.6	1942 .34/14.9	1801 .34/14.3	1645 .34/13.8	1484 .35/13.6	1344 .35/13.4	1210 .36/13.3	1073 .36/13.1	929 .36/12.9	1/2	1550	5844
	2150 .37/16.4	2013 .37/15.7	1878 .37/15.5	1729 .38/14.6	1572 .38/14.4	1430 .39/14.2	1300 .39/14.0	1170 .40/13.8	1034 .40/13.7	1/2	1600	6032
	2217 .40/17.3	2084 .40/16.6	1954 .41/15.9	1812 .41/15.3	1660 .41/15.2	1516 .42/15.0	1389 .43/14.8	1263 .43/14.6	1134 .44/14.5	1/2	1650	6221
2284 .44/18.2	2155 .44/17.5	2029 .45/16.8	1893 .45/16.2	1747 .45/16.0	1602 .46/15.8	1476 .46/15.6	1354 .47/15.4	1231 .48/15.3	1/2	1700	6409	
2352 .48/18.9	2226 .48/18.3	2104 .48/17.6	1973 .49/17.0	1832 .49/16.7	1689 .49/16.5	1562 .50/16.3	1443 .51/16.2	1324 .52/16.0	1/2	1750	6598	
RED15	1958 .13/6.9	1599 .14/6.3	1212 .13/6.1	759 .12/6.0	-	-	-	-	-	1/2	750	3270
	2089 .16/7.7	1756 .16/7.0	1395 .16/6.8	989 .15/6.8	512 .13/6.7	-	-	-	-	1/2	800	3488
	2219 .19/8.4	1907 .19/7.9	1567 .19/7.6	1203 .19/7.6	795 .17/7.5	-	-	-	-	1/2	850	3706
	2350 .22/9.3	2055 .23/8.8	1736 .23/8.4	1411 .22/8.3	1035 .21/8.3	608 .18/8.3	-	-	-	1/2	900	3924
	2481 .26/10.2	2202 .26/9.7	1902 .27/9.3	1602 .26/9.2	1256 .26/9.1	887 .24/9.1	-	-	-	1/2	950	4142
	2611 .30/11.1	2347 .31/10.6	2066 .31/10.2	1779 .31/10.0	1468 .30/10.0	1130 .29/9.9	752 .26/9.9	-	-	1/2	1000	4360
	2742 .35/12.1	2493 .35/11.5	2228 .36/11.2	1950 .36/10.9	1672 .35/10.9	1352 .34/10.8	1019 .32/10.8	621 .27/10.7	-	1/2	1050	4578
	2872 .40/13.2	2636 .40/12.6	2386 .41/12.1	2119 .41/11.8	1860 .40/11.8	1564 .40/11.8	1258 .38/11.7	923 .35/11.7	494 .29/11.7	1/2	1100	4796
	3003 .46/14.2	2779 .46/13.7	2540 .46/13.2	2285 .46/12.9	2038 .46/12.8	1774 .46/12.7	1480 .44/12.7	1180 .42/12.7	840 .38/12.6	1/2	1150	5014

(1) Models with S in the number require speed control.
 Performance certified is for installation type A-free inlet, free outlet.
 Performance ratings include the effects of birdscreen in the airstream.
 The sound ratings shown are loudness values in fan sones @ 5' (1.5m) in a hemispherical free field calculated per AMCA Standard 301. Values shown are for Installation Type A-free inlet fan sone levels.

* Base Unit-AMCA Seal for Sound Rating does not apply to units with speed control.

+ RPM range capable with solid state speed control.

Speed (RPM) shown is nominal. Performance is based on actual speed of test.



Soler & Palau USA, Div. of Soler & Palau Ventilation Group, certifies that the Models RED shown herein are licensed to bear the AMCA Seal. The ratings shown are based on test and procedures performed in accordance with AMCA Publication 211 and AMCA Publication 311 and comply with the requirement of the AMCA Certified Ratings Program.

