

DB Downblast Centrifugal Roof Exhausters

Belt Drive

Catalog DB01-July 2007



The World's Leading Producer of
Air Movement Products



Soler & Palau USA, Div. of Soler & Palau Ventilation Group, certifies that the Models DB shown herein are licensed to bear the AMCA Seal. The ratings shown are based on test and procedures performed in accordance with AMCA Publication 211 and AMCA Publication 311 and comply with the requirement of the AMCA Certified Ratings Program.

Soler&Palau  Ventilation Group

COMMERCIAL PRODUCT LINE

Application

Model DB belt drive units are roof mounted centrifugal exhausters rated from 230 to over 28,000 CFM, with static pressure capabilities to 1-1/4". They are used for the exhaust of relatively clean air from a wide range of commercial, industrial and institutional environments such as manufacturing and assembly plants, office buildings, schools, hospitals, restaurants, athletic facilities and many others.

Soler & Palau covers the DB with a 5 year warranty and a 1 year motor warranty. The nonoverloading backward inclined wheel with its higher static pressure capability makes this unit suitable for either ducted or nonducted applications. It's roof mounting permits location near the area to be ventilated, allowing short duct runs and more efficient operation.

The aluminum exterior provides an attractive appearance. Belt drive results in lower operating RPM and sound levels, making the Model DB well suited to applications where quiet operation is important. Belt drive also permits easy performance adjustments when needed to balance the total ventilation system.

Construction/Specification Checklist

Housing

- Curb cap with integral deep spun inlet for efficient performance.
- Heavy-gauge aluminum for extra strength.
- Designed for maximum weather protection and attractive appearance.
- Heavy-gauge motor support for rigidity and strength.
- Neoprene isolators for reduction of vibration and sound.
- Cover easily removed for quick access to motor compartment.
- Water tight conduit tube for easy electrical connection from below roof.
- Aluminum birdscreen and disconnect are included on standard models (Disconnect not included with explosion proof or two speed units).
- Stainless steel fasteners on exterior.

Centrifugal Wheel

- All aluminum wheel.
- Backward inclined for efficiency at higher static pressure.
- Nonoverloading for safe operation in ducted systems.
- Tapered blades for efficiency and quiet operation.
- Heavy aluminum hub for extra strength.
- Statically and dynamically balanced for smooth operation.

Motors

- 1 year warranty.
- Brands are nationally recognized and locally serviced.
- Single speed open drip-proof are standard.
- Explosion-proof, totally enclosed and two-speed motors are available.
- All motors are rated for continuous duty.
- 182T and larger motors shipped unmounted for field installation.
- Disconnect switch standard (Except explosion proof and two speed).

Drives

- Sized for minimum 150% of drive horsepower.
- Machined cast iron adjustable motor pulleys.
- Adjustable base for belt tensioning.
- Non-static oil resistant V-Belts.

Bearings

- Heavy duty ball bearing type.
- Pre-lubricated and permanently sealed.
- 5 year warranty.

AMCA Seal

- Assures accuracy of Air and Sound Performance.
- Computerized Selection Program.
- Allows best selection for your job requirement.

cULus Label

- cULus 705 listing assures electrical safety and reliability.
- cULus 705 must be specified when required.

Options/Accessories

Roof Curb: Prefabricated insulated heavy-gauge galvanized steel welded construction, 12" high with 1-1/2" wood nailer. Assures perfect fit of exhauster to roof curb. Options include burglar bars, single and double pitch construction and additional curb heights.

Sound Curb: Option of thermal acoustical lining or a complete maximum sound attenuating baffle system. Provision for mounting damper is available. Contact factory for information regarding effect on exhauster air performance and sound level.

Motor Operated Damper: Motor operated for positive closure against backdraft.

Automatic Damper: Automatic aluminum damper for ease in installation and effective backdraft protection.

Companion Gravity Units: Model RCX-II comes in a wide range of sizes and air capacities to provide relief or intake air to the system. Curbs and dampers are available to fit all sizes. Spun aluminum hoods provide a pleasing appearance, complementing the Model DB exhauster.

Epoxy Finish: For use in an alkaline type atmosphere (not for use in acetic and nitric acids). Epoxy forms an excellent hard, heavy film barrier against chemical attack as well as physical damage from direct impact and abrasion.

Special Coatings: Heresite and Eisenheiss are available when specified.

Optisizer Selection Program

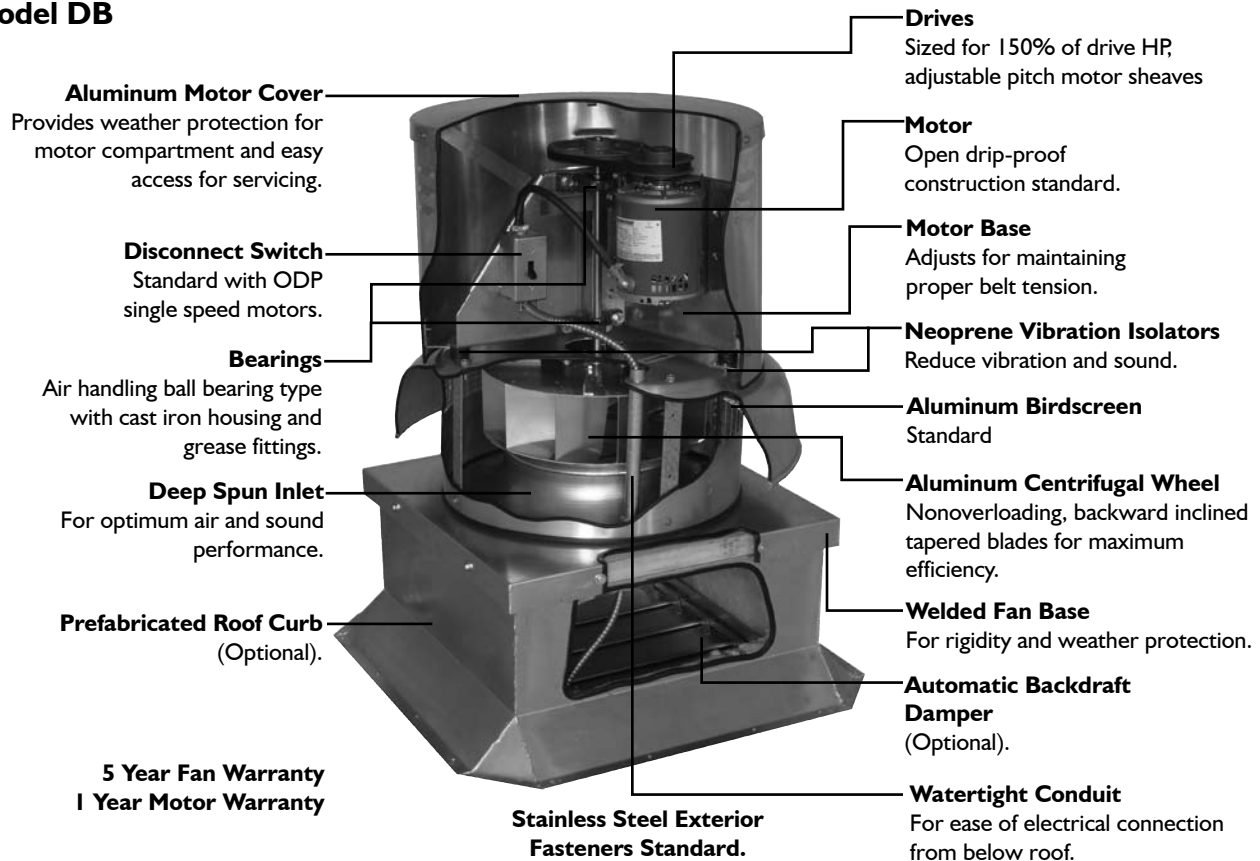
Please refer to Soler & Palau's Optisizer Program for fan curve, submittal information and other details of the DB series and other S&P products. Contact your representative or factory for a copy. Visit Soler & Palau's website for additional information: www.solerpalaucanada.com

Quickship Program

Most DB Models and many optional accessories are available on the Quickship Program. This program provides rapid delivery of standard products so that tight project deadlines can be met and downtime on replacement work can be held to a minimum.

All specifications are subject to change without notice unless approved in submittal by Soler & Palau.

Model DB



Typical Specifications

Roof exhauster fan shall be centrifugal belt drive type. Unit shall be constructed of aluminum for durability and appearance. Fan skirts shall have a rolled bead edge for rigidity. Units shall have a deep venturi inlet to prevent against snow and rain entry into the building. Birdscreen and wind band shall be integral, all aluminum and easily removable. Fan wheels shall be of the centrifugal backward inclined type, constructed of all aluminum (galvanized backplate not acceptable) and containing a matching inlet venturi for optimum unit performance. Wheels shall be statically and dynamically balanced. Motor assembly shall be isolated from unit to eliminate vibration and noise transmission. Exterior fasteners shall be stainless steel.

Motor and wheel assemblies shall be removable as a complete module without complete disassembly of the unit for service and maintenance. Motors shall be mounted out of the exhaust airstream and cooled by air isolated from the exhaust. Fan shafts shall be precision ground and polished. Shafts should not be pressed onto bearings. Bearings shall be of the one-piece, cast-iron, pillow block type with zerk fittings. Bearings shall be designed for service with a minimum L50 life in excess of 200,000 hours.

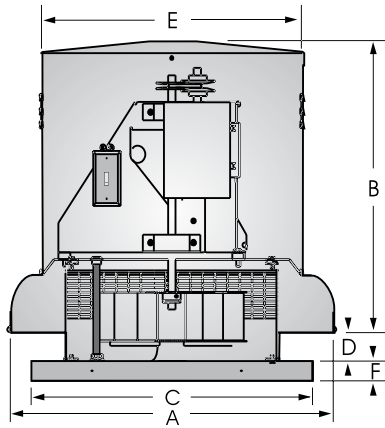
Drive support assembly shall be constructed of heavy-gauge galvanized steel and contain no welding. Drives shall be sized for a minimum of 150% of driven horsepower. Machined, cast-iron motor sheaves shall be adjustable for final system balance. Fans shall be Model DB as manufactured by **Soler & Palau USA**, Jacksonville, Florida.

SOLER & PALAU USA LIMITED WARRANTY

Soler & Palau USA (manufacturer), 6393 Powers Avenue, Jacksonville, Florida 32217, warrants the DB to be free from defects in design, materials and workmanship (exclusive of abrasion, corrosion or erosion) for five (5) years from the date of shipment to the original purchaser or the date of notification of readiness to ship. Motor warranty is one (1) year. In order to claim the benefit of this warranty, buyer must notify manufacturer in writing of the claimed defect within ten (10) days after discovering it and return this equipment or parts to the factory with transportation prepaid. In the event of on-site repair, no service technician will be dispatched until manufacturer receives your written purchase order. If any of the following conditions exist, the warranty will be null and void: **(1)** Buyer has permitted other persons not approved or authorized by manufacturer to alter, adjust, replace or repair the equipment or any part thereof. **(2)** Buyer has not followed instructions or other directions given in the contract documents or our maintenance manual. **(3)** When breakage or other loss or damage is the result of any negligence, misuse or fault on the part of any operator or other person not under our supervision or control. **(4)** The defect is the result of designs or drawings made, furnished or specified by others. **(5)** In the case of goods not manufactured but supplied by the manufacturer as part of a contract, manufacturer shall only be liable to the same extent that our supplier is to manufacturer, not to exceed any liability manufacturer would have for warranty on our own equipment. **(6)** Buyer has not paid in full any invoices submitted to buyer which are due for payment. **(7)** Unusual wear and tear of the equipment. Statements relating to the product, its use or installation made prior to the execution of the agreement, are not warranties except to the extent that the contrary is expressly set forth herein. It is understood that such statements were not intended to, and did not, form a part of the agreement; they were merely made in the course of negotiations of the parties. **THIS WARRANTY IS IN LIEU OF ANY OTHER EXPRESS OR IMPLIED WARRANTIES, INCLUDING ANY IMPLIED WARRANTY OF MERCHANTABILITY OR FITNESS FOR ANY PARTICULAR PURPOSE. OUR SOLE AND EXCLUSIVE OBLIGATION UNDER THIS WARRANTY IS TO REPAIR OR REPLACE DEFECTIVE EQUIPMENT OR PARTS OR, AT OUR OPTION, TO PAY THE REASONABLE COST OF REPAIR OR REPLACEMENT. BUYER AGREES THAT NO OTHER REMEDY (INCLUDING, BUT NOT LIMITED TO, INCIDENTAL OR CONSEQUENTIAL DAMAGES, DAMAGES FOR LOST PROFITS OR SALES, OR DAMAGES FOR INJURIES TO PERSON OR PROPERTY) SHALL BE AVAILABLE. NOTWITHSTANDING THE ABOVE, THE TOTAL AMOUNT THAT MAY IN ANY EVENT BE PAYABLE IN SETTLEMENT OF LIABILITY, HOWEVER INCURRED, SHALL NOT EXCEED THE CONTRACT PRICE.**



Performance/Dimensional Data



Dimensional Data										
Damper OD	Roof Opening	Curb OD	A	B	C	D	E	F	Fan Wt	Ship Wt
11	11-1/2	14-3/4	20 -1/2	17-1/2	16-1/2	3-1/2	16-1/8	1-3/4	43	80

SIZE 6

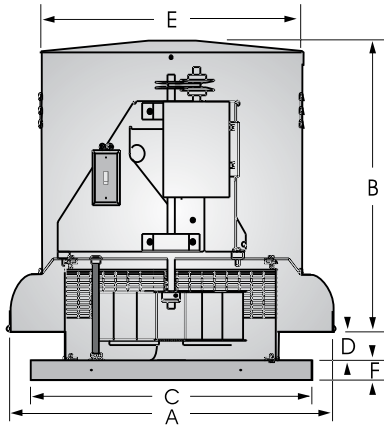
DB6	CFM / BHP @ Static Pressure / Sones										Drive Range	RPM	HP	Tip Speed	
	0	1/8	1/4	3/8	1/2	5/8	3/4	7/8	1	1-1/4					
	230 .01/1.3	108 .01/0.7	-	-	-	-	-	-	-	-	DP1	700	1/4	2058	
	246 .02/1.7	140 .02/1.1	-	-	-	-	-	-	-	-		750	1/4	2205	
	263 .02/2.1	166 .02/1.5	-	-	-	-	-	-	-	-		800	1/4	2352	
	279 .02/2.5	190 .02/1.9	-	-	-	-	-	-	-	-		850	1/4	2500	
	295 .03/2.9	213 .03/2.3	-	-	-	-	-	-	-	-		900	1/4	2647	
	312 .03/3.3	236 .03/2.8	122 .03/2.2	-	-	-	-	-	-	-		DP2	950	1/4	2794
	328 .04/3.6	257 .04/3.1	160 .04/2.6	-	-	-	-	-	-	-			1000	1/4	2941
	345 .04/4.0	278 .04/3.5	192 .04/3.0	-	-	-	-	-	-	-		DP3	1050	1/4	3088
	361 .05/4.3	298 .05/3.8	219 .05/3.4	-	-	-	-	-	-	-			1100	1/4	3235
	377 .06/4.7	318 .06/4.2	244 .06/3.8	137 .05/3.3	-	-	-	-	-	-			1150	1/4	3382
	394 .06/5.2	337 .06/4.7	268 .07/4.3	178 .06/3.8	-	-	-	-	-	-	1200		1/4	3529	
	410 .07/5.6	356 .07/5.2	291 .07/4.8	213 .07/4.3	-	-	-	-	-	-	1250		1/4	3676	
	427 .08/6.1	375 .08/5.6	314 .08/5.2	243 .08/4.8	131 .07/4.3	-	-	-	-	-	1300		1/4	3823	
	443 .09/6.5	394 .09/6.1	336 .09/5.7	269 .09/5.3	178 .09/4.8	-	-	-	-	-	1350		1/4	3970	
	459 .10/7.0	412 .10/6.6	358 .10/6.2	295 .10/5.8	217 .10/5.3	-	-	-	-	-	DP4		1400	1/4	4117
	476 .11/7.5	431 .11/7.1	379 .11/6.7	319 .11/6.3	250 .11/5.8	143 .10/5.4	-	-	-	-			1450	1/4	4264
	492 .12/8.0	449 .12/7.6	399 .13/7.2	342 .13/6.8	279 .13/6.4	191 .12/6.0	-	-	-	-	DP5		1500	1/4	4411
	509 .13/8.5	467 .14/8.1	420 .14/7.7	365 .14/7.3	307 .14/6.9	231 .13/6.5	115 .12/6.1	-	-	-		1550	1/4	4558	
	525 .15/9.0	485 .15/8.6	439 .15/8.2	388 .15/7.9	332 .15/7.5	266 .15/7.0	169 .14/6.6	-	-	-		1600	1/4	4705	
	541 .16/9.6	503 .17/9.2	459 .17/8.8	410 .17/8.4	356 .17/8.0	297 .17/7.6	215 .16/7.2	-	-	-		1650	1/4	4852	
	558 .18/10.1	521 .18/9.7	478 .18/9.4	432 .18/9.0	380 .18/8.6	325 .18/8.2	255 .18/7.8	153 .16/7.4	-	-		1700	1/4	4999	
	574 .19/10.7	539 .20/10.3	497 .20/9.9	453 .20/9.6	403 .20/9.2	352 .20/8.8	289 .20/8.4	203 .19/8.0	-	-		1750	1/4	5146	

Power Ratings (BHP) does not include drive losses.
 Performance certified is for installation type A - free inlet, free outlet.
 Performance ratings include the effects of birdscreen in the airstream.
 The sound ratings shown are loudness values in fan sones @ 5' (1.5m) in a hemispherical free field calculated per AMCA Standard 301. Values shown are for free inlet fan sone levels.



Soler & Palau USA, Div. of Soler & Palau Ventilation Group, certifies that the Models DB shown herein are licensed to bear the AMCA Seal. The ratings shown are based on test and procedures performed in accordance with AMCA Publication 211 and AMCA Publication 311 and comply with the requirement of the AMCA Certified Ratings Program.





Dimensional Data										
Damper OD	Roof Opening	Curb OD	A	B	C	D	E	F	Fan Wt	Ship Wt
11	11-1/2	14-3/4	20-1/2	17-1/2	16-1/2	3-1/2	16-1/8	1-3/4	42	80

SIZE 8

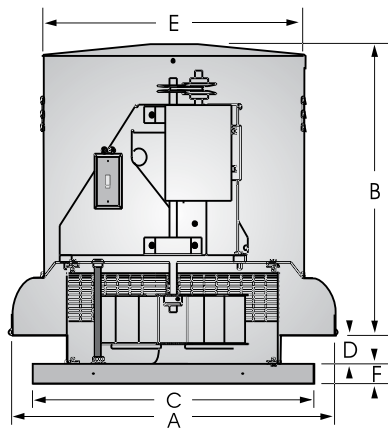
DB8	CFM / BHP @ Static Pressure / Sones										Drive Range	RPM	HP	Tip Speed
	0	1/8	1/4	3/8	1/2	5/8	3/4	7/8	1	1-1/4				
	478 .01/1.9	-	-	-	-	-	-	-	-	-	DP1	650	1/4	1911
	508 .01/2.2	252 .02/1.2	-	-	-	-	-	-	-	-		690	1/4	2029
	552 .02/2.8	338 .02/1.7	-	-	-	-	-	-	-	-	DP2	750	1/4	2205
	596 .02/3.3	408 .03/2.2	-	-	-	-	-	-	-	-		810	1/4	2382
	640 .03/3.8	470 .03/2.8	-	-	-	-	-	-	-	-	DP3	870	1/4	2558
	684 .04/4.4	528 .04/3.4	266 .04/2.7	-	-	-	-	-	-	-		930	1/4	2735
	728 .04/4.9	586 .05/4.0	380 .05/3.2	-	-	-	-	-	-	-	DP4	990	1/4	2911
	772 .05/5.4	643 .06/4.5	465 .06/3.8	-	-	-	-	-	-	-		1050	1/4	3088
	816 .06/5.9	696 .07/5.2	538 .07/4.4	249 .06/3.8	-	-	-	-	-	-	DP5	1110	1/4	3264
	861 .07/6.5	747 .08/5.8	604 .08/5.1	391 .08/4.4	-	-	-	-	-	-		1170	1/4	3441
	905 .08/7.0	798 .09/6.4	664 .10/5.8	492 .09/5.1	-	-	-	-	-	-	DP4	1230	1/4	3617
	949 .09/7.6	847 .10/7.0	723 .11/6.4	575 .11/5.8	312 .10/5.1	-	-	-	-	-		1290	1/4	3793
	993 .11/8.3	896 .12/7.6	781 .12/7.1	648 .13/6.5	450 .12/5.8	-	-	-	-	-	DP5	1350	1/4	3970
	1037 .12/8.9	945 .13/8.3	839 .14/7.7	715 .14/7.2	553 .14/6.5	249 .12/6.0	-	-	-	-		1410	1/4	4146
	1081 .14/9.5	994 .15/9.0	895 .16/8.4	777 .16/7.8	638 .16/7.2	420 .15/6.7	-	-	-	-	DP4	1470	1/4	4323
	1125 .16/10.3	1041 .17/9.6	949 .18/9.1	837 .18/8.6	714 .18/8.0	542 .18/7.4	-	-	-	-		1530	1/4	4499
	1170 .18/11.0	1089 .19/10.4	1001 .20/9.8	895 .20/9.3	783 .21/8.7	639 .20/8.1	409 .18/7.5	-	-	-	DP5	1590	1/4	4676
	1214 .20/11.7	1136 .21/11.1	1053 .22/10.6	953 .23/10.0	849 .23/9.5	722 .23/8.9	545 .22/8.3	-	-	-		1650	1/4	4852
	1250 .22/12.4	1176 .23/11.8	1095 .24/11.2	1002 .25/10.7	900 .25/10.2	785 .25/9.5	634 .25/8.9	394 .22/8.4	-	-	DP5	1700	1/4	4999
	1295 .24/13.1	1223 .25/12.6	1145 .26/12.0	1059 .27/11.4	960 .28/10.9	856 .28/10.4	726 .28/9.7	543 .26/9.2	-	-		1760	1/3	5175
	1339 .27/13.9	1269 .28/13.3	1195 .29/12.8	1114 .30/12.3	1018 .31/11.7	922 .31/11.2	807 .31/10.6	658 .30/10.0	429 .27/9.5	-	DP5	1820	1/3	5352
	1375 .29/14.5	1308 .30/14.0	1236 .32/13.4	1159 .32/13.0	1066 .33/12.5	975 .33/12.0	870 .33/11.3	739 .33/10.7	555 .31/10.2	-		1870	1/3	5499

Power Ratings (BHP) does not include drive losses.
 Performance certified is for installation type A - free inlet, free outlet.
 Performance ratings include the effects of birdscreen in the airstream.
 The sound ratings shown are loudness values in fan sones @ 5' (1.5m) in a hemispherical free field calculated per AMCA Standard 301. Values shown are for free inlet fan sone levels.



Soler & Palau USA, Div. of Soler & Palau Ventilation Group, certifies that the Models DB shown herein are licensed to bear the AMCA Seal. The ratings shown are based on test and procedures performed in accordance with AMCA Publication 211 and AMCA Publication 311 and comply with the requirement of the AMCA Certified Ratings Program.





Dimensional Data										
Damper OD	Roof Opening	Curb OD	A	B	C	D	E	F	Fan Wt	Ship Wt
11	11-1/2	14-3/4	20-1/2	17-1/2	16-1/2	3-1/2	16-1/8	1-3/4	44	80

SIZE 9

CFM / BHP @ Static Pressure / Sones										Drive Range	RPM	HP	Tip Speed	
0	1/8	1/4	3/8	1/2	5/8	3/4	7/8	1	1-1/4					
694	467	-	-	-	-	-	-	-	-	DP6	710	1/4	2277	
.04/3.8	.03/2.6	-	-	-	-	-	-	-	-		750	1/4	2405	
734	525	-	-	-	-	-	-	-	-		790	1/4	2534	
.04/4.3	.04/3.1	-	-	-	-	-	-	-	-		830	1/4	2662	
773	580	-	-	-	-	-	-	-	-		870	1/4	2790	
.05/4.8	.05/3.6	-	-	-	-	-	-	-	-		910	1/4	2918	
812	633	360	-	-	-	-	-	-	-		950	1/4	3047	
.06/5.4	.05/4.2	.05/3.5	-	-	-	-	-	-	-		990	1/4	3175	
851	683	439	-	-	-	-	-	-	-		1030	1/4	3303	
.06/5.9	.06/4.8	.05/4.0	-	-	-	-	-	-	-		1070	1/4	3432	
890	733	511	-	-	-	-	-	-	-	DP7	1110	1/4	3560	
.07/6.5	.07/5.5	.07/4.6	-	-	-	-	-	-	-		1150	1/4	3688	
929	781	577	-	-	-	-	-	-	-		1190	1/4	3816	
.08/7.0	.08/6.1	.08/5.1	-	-	-	-	-	-	-		1230	1/4	3945	
968	828	640	-	-	-	-	-	-	-		1270	1/4	4073	
.10/7.6	.09/6.7	.09/5.9	-	-	-	-	-	-	-		1310	1/4	4201	
1007	874	699	469	-	-	-	-	-	-		1350	1/4	4330	
.11/8.2	.10/7.4	.10/6.5	.09/6.0	-	-	-	-	-	-		1390	1/4	4458	
1046	919	756	546	-	-	-	-	-	-		1420	1/4	4554	
.12/8.8	.12/8.1	.11/7.3	.10/6.5	-	-	-	-	-	-		1470	1/3	4714	
1086	964	811	618	-	-	-	-	-	-	DP8	1510	1/3	4843	
.13/9.5	.13/8.9	.13/8.0	.12/7.2	-	-	-	-	-	-		1550	1/3	4971	
1125	1008	864	685	-	-	-	-	-	-		DP9			
.15/10.2	.15/9.6	.14/8.8	.13/8.0	-	-	-	-	-	-					
1164	1052	916	749	543	-	-	-	-	-					
.17/10.9	.16/10.3	.16/9.6	.15/8.8	.14/8.2	-	-	-	-	-					
1203	1096	966	810	621	-	-	-	-	-					
.18/11.6	.18/11.1	.18/10.4	.17/9.7	.16/8.8	-	-	-	-	-					
1242	1139	1015	868	693	-	-	-	-	-					
.20/12.2	.20/11.7	.19/11.1	.19/10.4	.18/9.6	-	-	-	-	-					
1281	1182	1064	925	761	565	-	-	-	-					
.22/12.7	.22/12.2	.21/11.7	.21/11.0	.20/10.2	.18/9.8	-	-	-	-					
1320	1224	1112	980	827	646	-	-	-	-	DP10				
.24/13.2	.24/12.8	.23/12.2	.23/11.6	.22/10.8	.20/10.2	-	-	-	-					
1359	1267	1159	1034	889	721	-	-	-	-					
.26/13.8	.26/13.4	.26/12.9	.25/12.2	.24/11.5	.23/10.7	-	-	-	-					
1389	1298	1193	1073	935	775	587	-	-	-					
.28/14.2	.28/13.8	.27/13.3	.27/12.7	.26/11.9	.25/11.2	.22/11.0	-	-	-					
1438	1351	1251	1137	1008	860	690	-	-	-					
.31/14.9	.31/14.5	.30/14.1	.30/13.4	.29/12.8	.28/12.0	.26/11.6	-	-	-					
1477	1393	1296	1188	1065	925	767	-	-	-					
.34/15.5	.33/15.1	.33/14.7	.33/14.0	.32/13.5	.31/12.7	.29/12.1	-	-	-					
1516	1434	1341	1237	1120	988	839	669	-	-					
.37/16.2	.36/15.7	.36/15.3	.35/14.7	.35/14.2	.34/13.5	.32/12.7	.29/12.6	-	-					

Performance/Dimensional Data

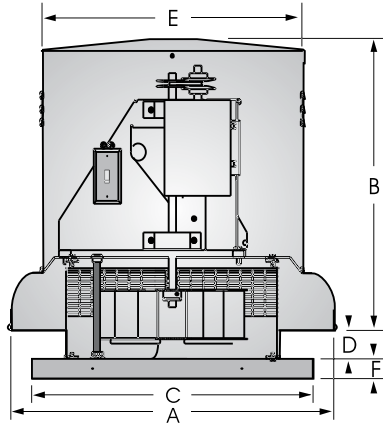
DB9

Power Ratings (BHP) does not include drive losses.
 Performance certified is for installation type A - free inlet, free outlet.
 Performance ratings include the effects of birdscreen in the airstream.
 The sound ratings shown are loudness values in fan sones @ 5' (1.5m) in a hemispherical free field calculated per AMCA Standard 301. Values shown are for free inlet fan sone levels.



Soler & Palau USA, Div. of Soler & Palau Ventilation Group, certifies that the Models DB shown herein are licensed to bear the AMCA Seal. The ratings shown are based on test and procedures performed in accordance with AMCA Publication 211 and AMCA Publication 311 and comply with the requirement of the AMCA Certified Ratings Program.





Dimensional Data										
Damper OD	Roof Opening	Curb OD	A	B	C	D	E	F	Fan Wt	Ship Wt
18	19-1/2	22-1/4	28-3/8	23	24	3-1/2	22-1/2	2	64	130

SIZE 11

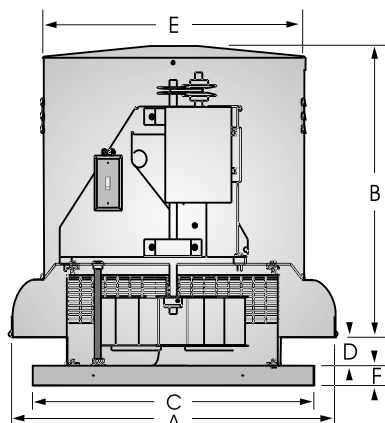
DBI	CFM / BHP @ Static Pressure / Sones										Drive Range	RPM	HP	Tip Speed
	0	1/8	1/4	3/8	1/2	5/8	3/4	7/8	1	1-1/4				
	734 .02/3.1	479 .02/2.3	-	-	-	-	-	-	-	-	DPI1	690	1/4	2275
	804 .03/3.7	575 .03/2.9	-	-	-	-	-	-	-	-		755	1/4	2489
	873 .03/4.4	669 .04/3.6	399 .04/3.4	-	-	-	-	-	-	-		820	1/4	2703
	942 .04/5.1	758 .05/4.3	528 .05/4.0	-	-	-	-	-	-	-		885	1/4	2918
	1011 .05/5.8	843 .06/5.0	637 .06/4.6	353 .06/4.7	-	-	-	-	-	-		950	1/4	3132
	1080 .06/6.5	924 .07/5.7	736 .07/5.2	513 .07/5.2	-	-	-	-	-	-		1015	1/4	3346
	1150 .07/7.1	1004 .08/6.4	831 .09/5.8	640 .09/5.8	355 .08/5.9	-	-	-	-	-		1080	1/4	3561
	1219 .09/7.8	1083 .10/7.1	925 .10/6.5	751 .11/6.4	532 .10/6.5	-	-	-	-	-		1145	1/4	3775
	1288 .10/8.5	1160 .11/7.8	1015 .12/7.3	852 .13/7.1	669 .12/7.1	405 .11/7.2	-	-	-	-		1210	1/4	3989
	1357 .12/9.2	1236 .13/8.6	1102 .14/8.0	948 .15/7.7	788 .15/7.8	582 .14/7.8	-	-	-	-		1275	1/4	4203
	1426 .14/9.9	1312 .15/9.3	1187 .16/8.8	1043 .17/8.4	896 .17/8.4	723 .17/8.5	489 .15/8.6	-	-	-	1340	1/4	4418	
	1495 .16/10.7	1387 .17/10.1	1269 .18/19.6	1137 .19/9.2	995 .20/9.1	845 .20/9.3	657 .19/9.3	388 .16/9.3	-	-	1405	1/4	4632	
	1565 .19/11.5	1461 .20/11.0	1350 .21/10.4	1227 .22/10.0	1092 .22/9.8	956 .23/9.9	796 .22/10.0	591 .21/10.0	-	-	1470	1/4	4846	
	1634 .21/12.5	1535 .22/11.9	1430 .23/11.4	1315 .25/10.8	1187 .25/10.6	1059 .26/10.7	918 .26/10.8	749 .25/10.8	527 .23/10.9	-	1535	1/4	5061	
	1687 .23/13.2	1591 .25/12.6	1490 .26/12.0	1381 .27/11.6	1259 .27/11.2	1134 .28/11.2	1005 .29/11.3	854 .28/11.4	668 .27/11.5	-	1585	1/3	5225	
	1740 .26/13.9	1648 .27/13.4	1550 .28/12.9	1446 .29/12.3	1330 .30/11.9	1208 .31/11.8	1087 .31/11.9	950 .31/12.0	788 .30/12.1	-	1635	1/3	5390	
	1793 .20/14.6	1704 .29/14.0	1609 .30/13.5	1510 .32/13.0	1400 .33/12.7	1281 .34/12.5	1165 .34/12.6	1039 .34/12.7	894 .34/12.7	485 .28/12.9	1685	1/3	5555	
	1847 .31/15.3	1760 .32/14.8	1668 .33/14.2	1573 .35/13.7	1468 .36/13.4	1354 .36/13.1	1240 .37/13.2	1124 .37/13.3	992 .37/13.4	645 .34/13.5	1735	1/2	5720	
	1900 .34/16.1	1816 .35/15.5	1727 .36/15.0	1635 .37/14.5	1535 .39/14.1	1426 .39/13.8	1314 .40/13.8	1204 .41/13.8	1083 .41/13.9	779 .38/14.2	1785	1/2	5885	
	1953 .36/16.9	1871 .38/16.3	1785 .39/15.7	1696 .40/15.2	1601 .42/14.9	1497 .43/14.6	1388 .43/14.4	1281 .44/14.5	1168 .44/14.6	896 .43/14.8	1835	1/2	6050	
	2006 .40/17.7	1927 .41/17.1	1843 .42/16.6	1757 .43/16.0	1666 .45/15.6	1567 .46/15.3	1461 .47/15.1	1356 .48/15.2	1251 .48/15.3	1002 .47/15.6	1885	1/2	6214	
	2060 .43/18.5	1982 .44/17.9	1901 .45/17.3	1817 .47/16.8	1730 .48/16.4	1635 .49/16.0	1533 .50/15.7	1430 .50/15.8	1329 .52/15.9	1100 .51/16.1	1935	1/2	6380	

Power Ratings (BHP) does not include drive losses.
 Performance certified is for installation type A - free inlet, free outlet.
 Performance ratings include the effects of birdscreen in the airstream.
 The sound ratings shown are loudness values in fan sones @ 5' (1.5m) in a hemispherical free field calculated per AMCA Standard 301. Values shown are for free inlet fan sone levels.



Soler & Palau USA, Div. of Soler & Palau Ventilation Group, certifies that the Models DB shown herein are licensed to bear the AMCA Seal. The ratings shown are based on test and procedures performed in accordance with AMCA Publication 211 and AMCA Publication 311 and comply with the requirement of the AMCA Certified Ratings Program.





Dimensional Data										
Damper OD	Roof Opening	Curb OD	A	B	C	D	E	F	Fan Wt	Ship Wt
18	19-1/2	22-1/4	28-3/8	23	24	3-1/2	22-1/2	2	65	130

SIZE 12

CFM / BHP @ Static Pressure / Sones										Drive Range	RPM	HP	Tip Speed
0	1/8	1/4	3/8	1/2	5/8	3/4	7/8	1	1-1/4				
959 .03/3.7	692 .03/3.0	-	-	-	-	-	-	-	-	DPI15	640	1/4	2371
1034 .03/4.3	792 .04/3.8	399 .04/2.8	-	-	-	-	-	-	-		690	1/4	2556
1109 .04/5.0	889 .05/4.5	576 .05/3.5	-	-	-	-	-	-	-		740	1/4	2742
1184 .05/5.7	982 .06/5.2	719 .06/4.2	-	-	-	-	-	-	-		790	1/4	2927
1259 .06/6.4	1072 .07/5.9	839 .08/5.1	467 .07/4.2	-	-	-	-	-	-		840	1/4	3112
1334 .07/7.0	1159 .08/6.6	947 .09/6.0	653 .09/4.9	-	-	-	-	-	-		890	1/4	3297
1409 .08/7.6	1244 .09/7.2	1049 .10/6.8	805 .11/5.8	390 .08/4.9	-	-	-	-	-		940	1/4	3483
1484 .10/8.3	1329 .11/7.9	1148 .12/7.5	937 .13/6.6	621 .12/5.7	-	-	-	-	-		990	1/4	3668
1559 .11/9.0	1412 .13/8.6	1244 .14/8.3	1052 .14/7.5	794 .14/6.6	369 .11/5.8	-	-	-	-		1040	1/4	3853
1634 .13/9.7	1494 .14/9.3	1339 .16/9.0	1160 .16/8.5	943 .17/7.5	627 .15/6.6	-	-	-	-		1090	1/4	4038
1709 .15/10.4	1576 .16/10.1	1430 .18/9.8	1262 .19/9.5	1075 .19/8.4	813 .18/7.5	409 .14/6.7	-	-	-	DPI16	1140	1/4	4224
1784 .17/11.2	1657 .18/10.9	1519 .20/10.6	1362 .21/10.3	1191 .22/9.4	971 .22/8.4	669 .19/7.6	-	-	-		1190	1/4	4409
1859 .19/12.0	1737 .21/11.7	1607 .22/11.4	1459 .24/11.1	1300 .24/10.5	1113 .25/9.4	861 .24/8.5	495 .19/7.8	-	-		1240	1/4	4594
1919 .21/12.7	1801 .23/12.3	1676 .24/12.1	1536 .26/11.8	1383 .27/11.4	1215 .27/10.3	992 .27/9.3	699 .24/8.5	-	-		1280	1/4	4742
1979 .23/13.2	1865 .25/13.1	1744 .26/12.7	1611 .28/12.5	1465 .29/12.2	1308 .30/11.2	1112 .30/10.2	861 .28/9.3	495 .22/8.6	-		1320	1/3	4891
2039 .25/13.9	1929 .27/13.6	1812 .29/13.5	1686 .30/13.1	1545 .32/12.9	1397 .32/12.1	1223 .33/11.0	999 .31/10.1	709 .28/9.3	-		1360	1/3	5039
2084 .27/14.4	1976 .29/14.1	1862 .30/13.9	1740 .32/13.7	1603 .33/13.4	1461 .34/12.8	1301 .35/11.7	1094 .34/10.8	839 .32/9.9	-		1390	1/3	5150
2159 .30/15.2	2055 .32/15.0	1946 .34/14.8	1830 .35/14.5	1701 .37/14.4	1565 .38/14.0	1419 .38/12.9	1242 .38/11.9	1022 .37/11.1	-		1440	1/2	5335
2219 .33/15.9	2118 .35/15.7	2012 .36/15.5	1900 .38/15.3	1777 .40/15.1	1646 .41/15.0	1509 .42/13.9	1350 .42/12.9	1151 .41/12.0	579 .32/10.3		1480	1/2	5483
2279 .35/16.7	2181 .37/16.4	2078 .39/16.2	1970 .41/16.0	1853 .43/15.8	1726 .44/15.7	1595 .45/14.8	1451 .45/13.9	1272 .45/13.0	791 .39/11.3		1520	1/2	5632
2339 .38/17.4	2243 .40/17.2	2144 .42/17.0	2039 .44/16.8	1927 .46/16.6	1804 .47/16.4	1679 .48/15.9	1544 .49/14.8	1385 .49/13.8	961 .45/12.2	1560	1/2	5780	
2399 .41/18.1	2306 .43/17.9	2209 .45/17.8	2108 .47/17.6	2001 .49/17.4	1882 .51/17.2	1760 .52/16.9	1633 .52/15.9	1489 .53/14.8	1109 .50/13.1	1600	1/2	5928	

Performance/Dimensional Data

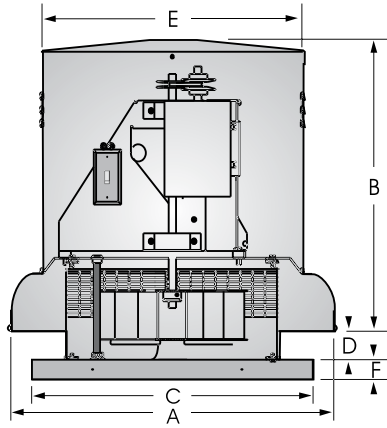
DB12

Power Ratings (BHP) does not include drive losses.
 Performance certified is for installation type A - free inlet, free outlet.
 Performance ratings include the effects of birdscreen in the airstream.
 The sound ratings shown are loudness values in fan sones @ 5' (1.5m) in a hemispherical free field calculated per AMCA Standard 301. Values shown are for free inlet fan sone levels.



Soler & Palau USA, Div. of Soler & Palau Ventilation Group, certifies that the Models DB shown herein are licensed to bear the AMCA Seal. The ratings shown are based on test and procedures performed in accordance with AMCA Publication 211 and AMCA Publication 311 and comply with the requirement of the AMCA Certified Ratings Program.





Dimensional Data										
Damper OD	Roof Opening	Curb OD	A	B	C	D	E	F	Fan Wt	Ship Wt
18	19-1/2	22-1/4	28-3/8	23	24	3-1/2	22-1/2	2	71	140

SIZE 14

DB14

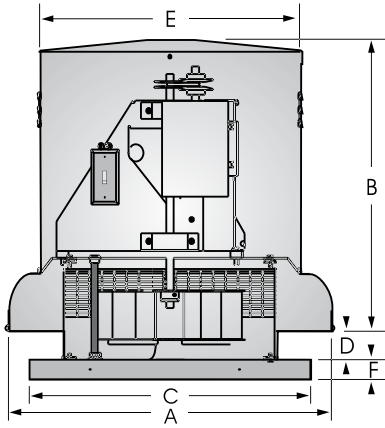
CFM / BHP @ Static Pressure / Sones										Drive Range	RPM	HP	Tip Speed	
0	1/8	1/4	3/8	1/2	5/8	3/4	7/8	1	1-1/4					
996 .02/2.3	514 .02/1.2	-	-	-	-	-	-	-	-	DP20	435	1/4	1732	
1088 .03/2.9	710 .03/1.9	-	-	-	-	-	-	-	-		475	1/4	1891	
1203 .04/3.6	901 .04/2.7	-	-	-	-	-	-	-	-		525	1/4	2090	
1317 .05/4.3	1060 .05/3.6	-	-	-	-	-	-	-	-		575	1/4	2289	
1432 .06/5.0	1206 .07/4.5	791 .06/3.4	-	-	-	-	-	-	-		625	1/4	2488	
1546 .08/5.9	1343 .08/5.4	1018 .08/4.3	-	-	-	-	-	-	-		DP21	675	1/4	2687
1661 .10/6.7	1475 .10/6.2	1213 .10/5.3	-	-	-	-	-	-	-			725	1/4	2886
1775 .12/7.4	1604 .13/7.0	1381 .13/6.3	1017 .11/5.3	-	-	-	-	-	-		DP22	775	1/4	3085
1890 .15/8.2	1731 .15/7.8	1535 .15/7.3	1240 .14/6.3	-	-	-	-	-	-			825	1/4	3284
2004 .18/9.0	1857 .18/8.6	1680 .18/8.2	1439 .18/7.2	1065 .16/6.4	-	-	-	-	-		DP23	875	1/4	3483
2119 .21/9.9	1981 .21/9.5	1819 .22/9.1	1613 .21/8.3	1311 .20/7.4	-	-	-	-	-	925		1/4	3682	
2233 .24/10.9	2103 .25/10.4	1953 .25/10.0	1773 .25/9.4	1525 .24/8.5	1168 .22/7.7	-	-	-	-	DP24	975	1/4	3881	
2348 .28/11.8	2225 .29/11.4	2085 .29/11.0	1923 .29/10.5	1714 .29/9.6	1425 .27/8.8	-	-	-	-		1025	1/3	4080	
2462 .33/12.8	2346 .33/12.4	2215 .34/12.0	2067 .34/11.7	1885 .34/10.7	1642 .32/9.9	1328 .29/9.1	-	-	-	DP25	1075	1/3	4279	
2577 .37/13.7	2466 .38/13.4	2343 .39/13.1	2206 .39/12.6	2044 .39/12.0	1840 .38/11.1	1571 .36/10.3	-	-	-		1125	1/2	4478	
2692 .42/14.8	2586 .43/14.5	2470 .44/14.1	2341 .44/13.7	2195 .44/13.2	2018 .44/12.3	1788 .42/11.5	1510 .39/10.8	-	-		1175	1/2	4677	
2806 .48/15.9	2705 .49/15.5	2595 .50/15.2	2474 .50/14.8	2340 .50/14.4	2183 .50/13.6	1988 .49/12.8	1740 .46/12.0	1408 .42/11.3	-		1225	1/2	4876	
2886 .52/16.7	2788 .53/16.3	2682 .54/15.9	2566 .55/15.6	2439 .55/15.2	2292 .54/14.5	2116 .54/13.7	1893 .52/12.9	1633 .48/12.2	-		1260	3/4	5016	
2978 .57/17.6	2883 .58/17.2	2781 .59/16.8	2670 .60/16.5	2550 .60/16.1	2414 .60/15.5	2254 .59/14.7	2058 .58/13.9	1818 .55/13.3	-		1300	3/4	5175	
3092 .64/18.7	3001 .65/18.3	2904 .66/18.0	2799 .67/17.6	2685 .67/17.3	2560 .67/16.9	2417 .67/16.0	2247 .66/15.3	2036 .64/14.5	-		1350	3/4	5374	
3150 .68/19.3	3060 .69/19.0	2965 .70/18.6	2862 .71/18.2	2752 .71/17.8	2632 .71/17.5	2495 .71/16.7	2335 .70/16.0	2141 .68/15.2	1621 .60/13.9		1375	3/4	5473	
3207 .72/19.9	3119 .73/19.6	3026 .74/19.2	2926 .74/18.8	2819 .75/18.5	2703 .75/18.1	2572 .75/17.4	2420 .74/16.6	2240 .72/15.9	1782 .66/14.5		1400	3/4	5573	

Power Ratings (BHP) does not include drive losses.
 Performance certified is for installation type A - free inlet, free outlet.
 Performance ratings include the effects of birdscreen in the airstream.
 The sound ratings shown are loudness values in fan sones @ 5' (1.5m) in a hemispherical free field calculated per AMCA Standard 301. Values shown are for free inlet fan sone levels.



Soler & Palau USA, Div. of Soler & Palau Ventilation Group, certifies that the Models DB shown herein are licensed to bear the AMCA Seal. The ratings shown are based on test and procedures performed in accordance with AMCA Publication 211 and AMCA Publication 311 and comply with the requirement of the AMCA Certified Ratings Program.





Dimensional Data										
Damper OD	Roof Opening	Curb OD	A	B	C	D	E	F	Fan Wt	Ship Wt
18	19-1/2	22-1/4	32-1/4	24	24	6	26-1/4	2-1/2	79	145

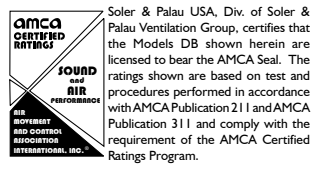
SIZE 16

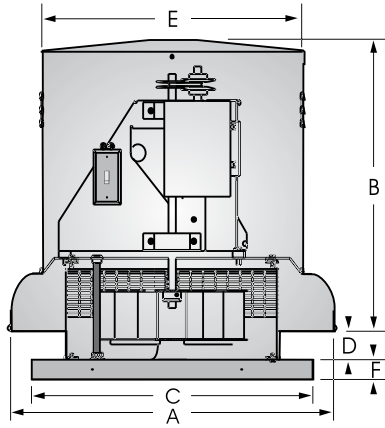
CFM / BHP @ Static Pressure / Sones										Drive Range	RPM	HP	Tip Speed
0	1/8	1/4	3/8	1/2	5/8	3/4	7/8	1	1-1/4				
1578 .04/2.9	851 .04/1.8	-	-	-	-	-	-	-	-	DP26	425	1/4	2030
1726 .05/3.6	1118 .05/2.6	-	-	-	-	-	-	-	-		465	1/4	2221
1875 .06/4.3	1338 .07/3.3	-	-	-	-	-	-	-	-		505	1/4	2413
2023 .07/5.0	1540 .08/4.1	-	-	-	-	-	-	-	-		545	1/4	2604
2172 .09/5.8	1733 .10/4.9	1065 .10/4.0	-	-	-	-	-	-	-		585	1/4	2795
2320 .11/6.5	1918 .12/5.7	1378 .12/4.8	-	-	-	-	-	-	-		625	1/4	2986
2469 .13/7.2	2098 .15/6.4	1624 .15/5.6	-	-	-	-	-	-	-		665	1/4	3177
2617 .16/8.0	2273 .17/7.2	1844 .18/6.4	1188 .17/6.2	-	-	-	-	-	-		705	1/4	3368
2766 .19/8.7	2444 .20/7.9	2050 .21/7.2	1543 .21/6.5	-	-	-	-	-	-		745	1/4	3559
2914 .22/9.5	2612 .24/8.7	2248 .25/8.0	1814 .25/7.4	984 .20/7.2	-	-	-	-	-		785	1/4	3750
2970 .23/9.8	2674 .25/9.0	2320 .26/8.3	1905 .26/7.7	1205 .23/7.5	-	-	-	-	-	800	1/4	3822	
3063 .26/10.3	2776 .27/9.5	2440 .29/8.8	2049 .29/8.2	1484 .27/7.7	-	-	-	-	-	825	1/3	3941	
3137 .28/10.7	2857 .29/10.0	2533 .31/9.2	2159 .31/8.6	1663 .30/8.1	-	-	-	-	-	845	1/3	4037	
3230 .30/11.2	2958 .32/10.4	2649 .33/9.8	2293 .34/9.1	1853 .34/8.6	965 .25/8.5	-	-	-	-	DP31	870	1/3	4156
3341 .33/11.9	3079 .35/11.1	2786 .37/10.4	2448 .38/9.8	2054 .37/9.3	1417 .33/9.1	-	-	-	-		900	1/2	4300
3453 .37/12.5	3198 .39/11.8	2920 .40/11.1	2599 .42/10.5	2236 .42/9.9	1731 .40/9.6	-	-	-	-		930	1/2	4430
3564 .40/13.2	3318 .43/12.5	3053 .44/11.8	2746 .46/11.1	2407 .46/10.7	1979 .45/10.2	1181 .36/9.9	-	-	-		960	1/2	4586
3712 .46/14.0	3476 .48/13.4	3228 .50/12.7	2939 .51/12.1	2623 .52/11.5	2256 .51/11.2	1712 .48/11.0	-	-	-		1000	1/2	4778
3935 .54/15.5	3711 .57/14.8	3484 .59/14.1	3219 .60/13.6	2932 .62/13.1	2617 .62/12.6	2230 .60/13.0	1615 .54/12.8	-	-		1060	3/4	5064
4047 .59/16.2	3829 .62/15.6	3610 .64/15.0	3356 .65/14.3	3081 .67/13.8	2783 .67/13.4	2436 .66/13.6	1950 .63/14.4	1021 .45/14.2	-		1090	3/4	5207
4158 .64/17.0	3946 .67/16.4	3734 .69/15.8	3492 .71/15.2	3227 .72/14.6	2943 .73/14.2	2626 .72/14.3	2217 .70/15.1	1542 .60/14.9	-		1120	3/4	5351
4288 .70/17.9	4082 .73/17.3	3878 .75/16.7	3648 .77/16.2	3395 .79/15.7	3125 .79/15.1	2831 .79/15.0	2480 .78/15.9	1980 .73/15.9	-		1155	3/4	5518

Performance/Dimensional Data

DB16

Power Ratings (BHP) does not include drive losses.
 Performance certified is for installation type A - free inlet, free outlet.
 Performance ratings include the effects of birdscreen in the airstream.
 The sound ratings shown are loudness values in fan sones @ 5' (1.5m) in a hemispherical free field calculated per AMCA Standard 301. Values shown are for free inlet fan sone levels.





Dimensional Data										
Damper OD	Roof Opening	Curb OD	A	B	C	D	E	F	Fan Wt	Ship Wt
24	24-3/4	27-3/4	32-1/4	24	29-1/2	4-1/2	26-1/4	2-1/2	96	160

SIZE 18

DB18

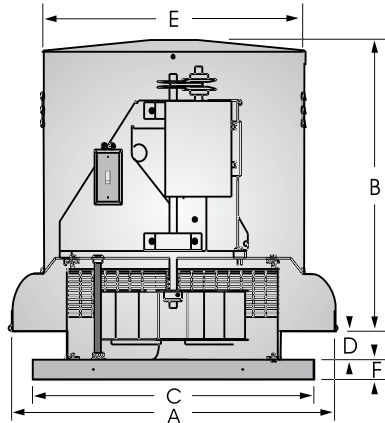
CFM / BHP @ Static Pressure / Sones										Drive Range	RPM	HP	Tip Speed
0	1/8	1/4	3/8	1/2	5/8	3/4	7/8	1	1-1/4				
2031 .09/6.4	1663 .10/5.4	1054 .08/5.6	-	-	-	-	-	-	-	DPB2	535	1/4	2556
2202 .12/7.3	1874 .12/6.4	1395 .11/6.6	-	-	-	-	-	-	-		580	1/4	2771
2372 .15/8.3	2077 .15/7.4	1679 .15/6.5	-	-	-	-	-	-	-		625	1/4	2986
2543 .18/9.4	2274 .19/8.5	1924 .19/7.6	1431 .17/7.8	-	-	-	-	-	-		670	1/4	3201
2714 .22/10.5	2465 .23/9.6	2151 .23/8.7	1740 .22/9.0	-	-	-	-	-	-		715	1/4	3416
2885 .26/11.5	2653 .27/10.6	2369 .27/9.8	2024 .27/9.0	1531 .24/8.8	-	-	-	-	-		760	1/3	3631
3056 .31/12.5	2838 .32/11.6	2579 .33/10.8	2274 .32/10.0	1873 .30/9.8	-	-	-	-	-		805	1/3	3846
3226 .37/13.4	3022 .38/12.7	2785 .38/11.8	2507 .38/11.1	2168 .37/11.0	1715 .34/10.8	-	-	-	-		850	1/2	4061
3397 .43/14.3	3204 .44/13.6	2986 .45/13.0	2729 .45/12.3	2437 .44/11.5	2061 .42/11.3	-	-	-	-		895	1/2	4276
3568 .50/15.5	3385 .51/14.7	3183 .52/14.0	2944 .52/13.4	2681 .51/12.9	2358 .50/12.8	1965 .46/12.6	-	-	-		940	1/2	4491
3739 .58/16.7	3564 .59/16.0	3375 .60/15.3	3155 .60/14.6	2912 .59/14.0	2635 .58/13.5	2288 .56/13.3	1676 .47/13.1	-	-	985	3/4	4706	
3910 .66/17.9	3743 .67/17.2	3565 .68/16.6	3361 .68/15.9	3135 .68/15.3	2886 .67/14.7	2585 .65/14.4	2235 .62/14.1	-	-	1030	3/4	4921	
4080 .75/19.1	3922 .76/18.5	3752 .77/17.8	3563 .78/17.2	3351 .77/16.6	3123 .77/16.0	2863 .76/15.5	2544 .73/15.3	2167 .68/15.1	-	1075	3/4	5136	
4251 .85/21	4099 .86/19.8	3938 .87/19.1	3762 .88/18.6	3562 .88/18.0	3350 .87/17.4	3117 .86/16.9	2840 .84/16.5	2524 .81/16.1	-	1120	1	5351	
4422 .95/22	4276 .97/21	4123 .98/21	3957 .99/19.9	3770 .99/19.3	3570 .98/18.8	3356 .98/18.2	3115 .96/17.7	2824 .93/17.3	-	1165	1	5566	
4593 1.07/23	4452 1.08/23	4306 1.10/22	4149 1.10/21	3975 1.11/21	3784 1.10/20	3585 1.10/19.6	3368 1.09/19.1	3116 1.07/18.7	2508 .99/18.5	1210	1-1/2	5781	
4764 1.19/25	4628 1.21/24	4488 1.22/23	4339 1.23/23	4176 1.23/22	3995 1.23/22	3808 1.23/21	3607 1.22/21	3386 1.21/20	2841 1.14/19.7	1255	1-1/2	5996	
4935 1.32/26	4804 1.34/25	4669 1.36/25	4527 1.37/24	4373 1.37/24	4204 1.37/23	4025 1.37/23	3837 1.36/22	3635 1.35/22	3140 1.29/21	1300	1-1/2	6211	
5105 1.47/28	4979 1.48/27	4849 1.50/26	4713 1.51/26	4569 1.52/25	4408 1.52/25	4237 1.52/24	4061 1.51/24	3873 1.50/23	3434 1.46/22	1345	1-1/2	6426	
5276 1.62/29	5154 1.64/29	5029 1.65/28	4898 1.67/27	4761 1.67/27	4610 1.68/26	4447 1.68/26	4279 1.67/25	4104 1.67/25	3709 1.63/24	1390	2	6641	
5447 1.78/31	5329 1.80/30	5208 1.82/30	5082 1.83/29	4951 1.84/28	4809 1.84/28	4655 1.85/27	4493 1.84/27	4327 1.84/26	3964 1.81/25	1435	2	6856	
5618 1.95/32	5504 1.97/32	5386 1.99/31	5265 2.01/31	5139 2.02/30	5005 2.02/29	4859 2.02/29	4704 2.02/28	4546 2.02/28	4206 2.00/27	1480	2	7071	

Power Ratings (BHP) does not include drive losses.
 Performance certified is for installation type A - free inlet, free outlet.
 Performance ratings include the effects of birdscreen in the airstream.
 The sound ratings shown are loudness values in fan sones @ 5' (1.5m) in a hemispherical free field calculated per AMCA Standard 301. Values shown are for free inlet fan sone levels.



Soler & Palau USA, Div. of Soler & Palau Ventilation Group, certifies that the Models DB shown herein are licensed to bear the AMCA Seal. The ratings shown are based on test and procedures performed in accordance with AMCA Publication 211 and AMCA Publication 311 and comply with the requirement of the AMCA Certified Ratings Program.





Dimensional Data										
Damper OD	Roof Opening	Curb OD	A	B	C	D	E	F	Fan Wt	Ship Wt
24	24-3/4	27-3/4	36-3/4	24-1/2	29-1/2	4-1/2	26-1/4	2-1/2	98	215

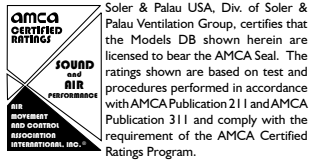
SIZE 20

CFM / BHP @ Static Pressure / Sones										Drive Range	RPM	HP	Tip Speed
0	1/8	1/4	3/8	1/2	5/8	3/4	7/8	1	1-1/4				
2357 .09/5.4	1936 .10/3.9	1151 .09/3.7	-	-	-	-	-	-	-	DP38	440	1/4	2460
2571 .12/6.2	2200 .13/4.8	1617 .12/4.6	-	-	-	-	-	-	-		480	1/4	2683
2785 .15/7.0	2455 .16/5.8	1982 .16/5.1	1098 .13/4.7	-	-	-	-	-	-		520	1/4	2907
3000 .19/7.9	2701 .20/7.0	2302 .21/6.2	1681 .19/5.9	-	-	-	-	-	-		560	1/4	3130
3214 .23/9.1	2939 .25/8.2	2586 .25/7.3	2098 .25/6.9	1259 .20/6.0	-	-	-	-	-		600	1/4	3354
3401 .28/9.7	3144 .29/8.8	2822 .30/8.2	2412 .30/7.5	1799 .27/7.2	-	-	-	-	-		635	1/3	3550
3562 .32/10.2	3318 .33/9.4	3021 .34/8.7	2658 .35/8.2	2145 .33/8.3	1281 .26/7.8	-	-	-	-		665	1/3	3717
3750 .37/10.8	3520 .38/10.1	3248 .40/9.4	2923 .40/9.0	2490 .39/8.5	1880 .35/8.2	-	-	-	-		700	1/2	3913
3910 .42/11.6	3691 .43/10.6	3438 .45/10.0	3134 .46/9.6	2757 .45/9.2	2251 .42/8.9	1438 .35/8.7	-	-	-		730	1/2	4081
4071 .47/12.3	3861 .49/11.2	3625 .51/10.7	3338 .51/10.2	3007 .52/9.9	2567 .50/9.5	1963 .45/9.3	-	-	-		760	1/2	4248
4285 .55/13.2	4087 .57/12.3	3868 .59/11.7	3604 .60/11.2	3315 .60/10.9	2942 .59/10.5	2469 .56/10.4	1784 .49/10.3	-	-	DP42	800	3/4	4472
4500 .64/14.1	4311 .66/13.4	4106 .67/13.0	3866 .69/12.5	3599 .70/12.0	3283 .70/11.6	2886 .67/11.3	2379 .62/11.1	1594 .52/10.8	-		840	3/4	4696
4687 .72/14.9	4506 .74/14.4	4312 .76/13.9	4091 .78/13.5	3838 .79/13.2	3560 .79/12.7	3210 .78/12.4	2787 .74/12.3	2229 .68/10.9	-		875	3/4	4891
4901 .82/16.2	4729 .84/15.7	4546 .86/15.2	4341 .88/14.7	4104 .90/14.3	3854 .90/14.0	3553 .90/13.6	3191 .88/13.4	2751 .83/12.9	-		915	1	5115
5089 .92/17.3	4923 .94/16.8	4748 .96/16.4	4557 .98/15.9	4335 1.00/15.5	4098 1.01/15.1	3834 1.01/14.7	3511 1.00/14.4	3133 .96/13.9	2017 .80/13.0		950	1	5311
5276 1.03/18.4	5117 1.05/17.9	4949 1.07/17.5	4768 1.09/17.1	4562 1.11/16.7	4336 1.12/16.3	4098 1.12/15.9	3811 1.12/15.5	3476 1.10/15.4	2589 .98/15.1		985	1	5506
5517 1.17/19.9	5365 1.20/19.4	5206 1.22/19.0	5036 1.24/18.5	4847 1.26/18.1	4634 1.28/17.8	4416 1.28/17.4	4171 1.28/17.1	3879 1.28/16.8	3156 1.19/16.7		1030	1-1/2	5758
5705 1.30/21	5558 1.32/21	5405 1.35/20	5242 1.37/19.8	5065 1.39/19.4	4865 1.41/19.0	4655 1.42/18.6	4434 1.42/18.3	4173 1.42/18.0	3532 1.36/17.8		1065	1-1/2	5953
5892 1.43/22	5750 1.45/22	5602 1.48/22	5447 1.50/21	5280 1.53/21	5092 1.55/20	4889 1.56/19.9	4683 1.56/19.5	4451 1.56/19.2	3874 1.53/19.1		1100	1-1/2	6149
6107 1.59/24	5970 1.62/24	5828 1.64/23	5679 1.67/23	5521 1.69/22	5346 1.71/22	5154 1.73/21	4985 1.74/21	4751 1.74/21	4236 1.73/20		1140	2	6373
6294 1.74/25	6161 1.77/25	6024 1.80/24	5881 1.82/24	5730 1.85/24	5566 1.87/23	5384 1.89/23	5194 1.90/22	4999 1.91/22	4535 1.90/21	1175	2	6568	
6482 1.90/27	6353 1.93/26	6220 1.96/26	6082 1.98/25	5937 2.01/25	5782 2.04/25	5610 2.06/24	5426 2.07/24	5241 2.08/24	4821 2.08/24	1210	2	6764	

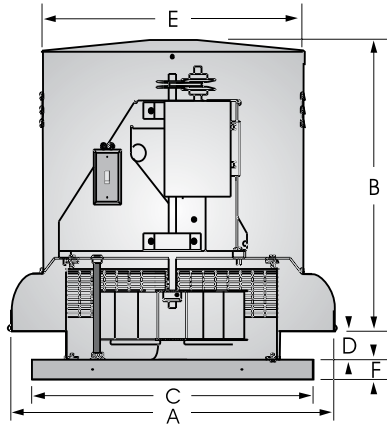
Performance/Dimensional Data

DB20

Power Ratings (BHP) does not include drive losses.
 Performance certified is for installation type A - free inlet, free outlet.
 Performance ratings include the effects of birdscreen in the airstream.
 The sound ratings shown are loudness values in fan sones @ 5' (1.5m) in a hemispherical free field calculated per AMCA Standard 301. Values shown are for free inlet fan sone levels.



Soler & Palau USA, Div. of Soler & Palau Ventilation Group, certifies that the Models DB shown herein are licensed to bear the AMCA Seal. The ratings shown are based on test and procedures performed in accordance with AMCA Publication 211 and AMCA Publication 311 and comply with the requirement of the AMCA Certified Ratings Program.



Dimensional Data										
Damper OD	Roof Opening	Curb OD	A	B	C	D	E	F	Fan Wt	Ship Wt
30	30-3/4	33-3/4	41-1/4	26-1/2	35-3/4	8-1/2	30	2-1/2	155	290

SIZE 24

DB24

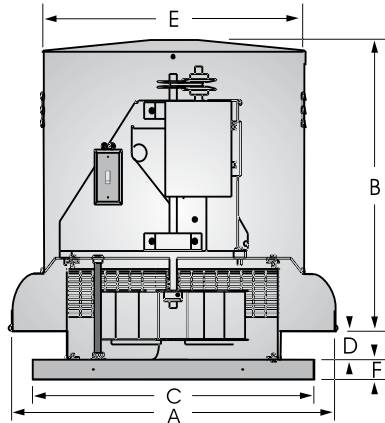
CFM / BHP @ Static Pressure / Sones										Drive Range	RPM	HP	Tip Speed
0	1/8	1/4	3/8	1/2	5/8	3/4	7/8	1	1-1/4				
3286 .09/5.1	2405 .10/3.9	-	-	-	-	-	-	-	-	DP45	330	1/4	2102
3634 .12/6.1	2914 .14/5.2	-	-	-	-	-	-	-	-		365	1/4	2325
3983 .16/7.2	3364 .18/6.6	1948 .15/4.8	-	-	-	-	-	-	-	DP46	400	1/4	2548
4480 .23/9.0	3949 .25/8.4	3090 .25/6.9	-	-	-	-	-	-	-		450	1/4	2867
4680 .26/9.7	4176 .28/9.2	3453 .29/7.8	1852 .22/6.8	-	-	-	-	-	-	DP47	470	1/3	2994
4879 .30/10.2	4400 .32/9.7	3751 .33/8.6	2388 .27/7.3	-	-	-	-	-	-		490	1/3	3121
5376 .40/11.7	4952 .42/11.3	4436 .44/10.8	3483 .41/9.0	2055 .32/8.6	-	-	-	-	-	DP48	540	1/2	3440
5576 .44/12.4	5169 .47/11.9	4688 .49/11.5	3972 .48/9.8	2614 .40/8.8	-	-	-	-	-		560	1/2	3567
5874 .52/13.4	5493 .55/12.9	5048 .57/12.5	4447 .57/11.2	3296 .50/9.9	1791 .38/9.8	-	-	-	-	DP49	590	3/4	3758
6073 .57/14.2	5706 .60/13.5	5282 .63/13.2	4735 .63/12.1	3702 .57/10.6	2487 .48/10.8	-	-	-	-		610	3/4	3886
6422 .68/15.6	6078 .71/14.9	5683 .74/14.3	5219 .75/13.8	4557 .73/12.2	3374 .63/11.3	1906 .49/11.1	-	-	-	DP50	645	3/4	4109
6770 .80/17.0	6447 .83/16.4	6077 .86/15.9	5670 .88/15.3	5117 .87/14.0	4097 .79/13.1	3051 .70/12.4	-	-	-		680	1	4332
7069 .91/18.3	6761 .94/17.7	6412 .97/17.2	6033 .99/16.7	5549 1.00/15.5	4848 .96/14.6	3773 .85/14.0	2570 .72/13.8	-	-	DP51	710	1	4523
7467 1.07/20	7177 1.10/19.5	6854 1.14/19.0	6502 1.16/18.5	6096 1.18/17.9	5566 1.17/16.7	4594 1.07/16.0	3685 .97/15.4	2423 .80/15.3	-		750	1-1/2	4778
7816 1.22/22	7540 1.26/21	7235 1.30/21	6904 1.33/20	6545 1.35/19.7	6077 1.35/18.6	5479 1.32/17.8	4451 1.18/17.2	3518 1.07/16.6	-	785	1-1/2	5000	
8164 1.40/23	7902 1.43/23	7613 1.47/22	7299 1.51/22	6968 1.53/21	6567 1.54/21	6073 1.53/19.7	5180 1.42/19.0	4360 1.31/18.4	-	DP52	820	1-1/2	5223
8513 1.58/25	8262 1.62/24	7988 1.66/24	7691 1.70/24	7380 1.73/23	7029 1.74/23	6587 1.74/22	6059 1.71/21	5077 1.56/20	3286 1.29/20		855	2	5446
8961 1.85/27	8723 1.89/27	8467 1.93/26	8190 1.97/26	7899 2.00/26	7590 2.03/25	7218 2.04/24	6775 2.02/24	6180 1.97/23	4490 1.69/22	900	2	5733	
9210 2.00/28	8979 2.05/28	8731 2.09/28	8464 2.13/27	8182 2.17/27	7888 2.19/27	7550 2.21/26	7136 2.20/25	6665 2.18/25	5053 1.91/23	925	3	5892	
9558 2.24/30	9337 2.28/30	9099 2.33/29	8846 2.37/29	8576 2.41/28	8299 2.44/28	7998 2.47/28	7631 2.47/27	7211 2.46/26	5760 2.22/25	960	3	6115	
9757 2.38/31	9541 2.43/30	9309 2.47/30	9062 2.52/30	8800 2.56/29	8530 2.59/29	8243 2.62/29	7902 2.63/28	7503 2.62/27	6189 2.42/26	980	3	6243	
9956 2.53/31	9744 2.58/31	9518 2.63/31	9278 2.67/30	9023 2.71/30	8760 2.75/30	8483 2.78/30	8166 2.79/29	7789 2.79/28	6753 2.67/27	1000	3	6370	

Power Ratings (BHP) does not include drive losses.
 Performance certified is for installation type A - free inlet, free outlet.
 Performance ratings include the effects of birdscreen in the airstream.
 The sound ratings shown are loudness values in fan sones @ 5' (1.5m) in a hemispherical free field calculated per AMCA Standard 301. Values shown are for free inlet fan sone levels.



Soler & Palau USA, Div. of Soler & Palau Ventilation Group, certifies that the Models DB shown herein are licensed to bear the AMCA Seal. The ratings shown are based on test and procedures performed in accordance with AMCA Publication 211 and AMCA Publication 311 and comply with the requirement of the AMCA Certified Ratings Program.





Dimensional Data										
Damper OD	Roof Opening	Curb OD	A	B	C	D	E	F	Fan Wt	Ship Wt
36	37-1/4	40-3/4	58-3/8	37	42-1/2	5-1/2	41	2-1/2	265	465

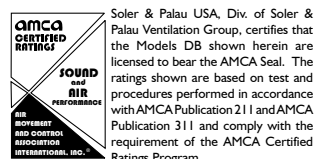
SIZE 30

CFM / BHP @ Static Pressure / Sones										Drive Range	RPM	HP	Tip Speed					
0	1/8	1/4	3/8	1/2	5/8	3/4	7/8	1	1-1/4									
4068 .09/2.7	2456 .09/2.5	-	-	-	-	-	-	-	-	DP53	235	1/3	1871					
4588 .13/3.4	3300 .14/3.2	-	-	-	-	-	-	-	-		265	1/3	2110					
5107 .18/4.2	4015 .19/3.6	1930 .15/3.4	-	-	-	-	-	-	-		295	1/3	2349					
5626 .24/5.0	4681 .26/4.1	3220 .24/3.6	-	-	-	-	-	-	-		325	1/3	2588					
6146 .32/5.8	5311 .34/4.7	4149 .33/5.0	-	-	-	-	-	-	-		355	1/3	2827					
6665 .40/6.6	5916 .43/5.3	4921 .43/6.2	3455 .38/6.1	-	-	-	-	-	-		385	1/2	3066					
7098 .49/7.3	6406 .51/5.9	5512 .52/6.6	4350 .49/6.4	2246 .38/6.8	-	-	-	-	-		410	1/2	3265					
7531 .58/8.1	6888 .61/6.7	6081 .62/7.1	5087 .60/7.0	3601 .53/6.9	-	-	-	-	-		435	3/4	3464					
8050 .71/9.1	7456 .74/7.6	6735 .76/7.7	5866 .75/8.5	4743 .71/8.2	2961 .59/8.1	-	-	-	-		465	3/4	3703					
8483 .83/9.8	7925 .86/8.4	7262 .89/8.2	6468 .89/8.9	5528 .85/8.8	4179 .77/8.0	-	-	-	-		490	1	3902					
8916 .97/10.6	8388 1.00/9.2	7775 1.03/8.7	7047 1.03/9.4	6215 1.01/9.2	5132 .95/8.6	3571 .82/8.8	-	-	-	DP54	515	1	4101					
9608 1.21/12.0	9124 1.25/10.6	8574 1.30/9.5	7937 1.30/10.2	7213 1.28/11.0	6385 1.25/9.0	5286 1.17/8.9	3788 1.02/8.7	-	-		555	1-1/2	4419					
10214 1.46/13.2	9761 1.49/11.7	9257 1.55/10.6	8683 1.55/11.0	8030 1.55/11.7	7315 1.53/12.6	6472 1.48/12.4	5352 1.38/12.2	3860 1.21/21.6	-		590	1-1/2	4698					
10820 1.73/14.5	10395 1.77/13.1	9928 1.84/11.8	9405 1.84/11.7	8817 1.85/12.6	8171 1.84/13.3	7460 1.80/13.0	6604 1.74/12.8	5497 1.62/12.7	-		625	2	4977					
11339 1.99/15.6	10936 2.03/14.2	10496 2.07/13.1	10010 2.10/12.6	9469 2.13/13.2	8871 2.12/14.0	8231 2.10/14.8	7507 2.05/14.6	6617 1.96/14.0	4024 1.61/13.8		DP55	655	2	5215				
11859 2.28/16.7	11474 2.32/15.4	11058 2.36/14.3	10605 2.40/13.4	10104 2.43/14.0	9552 2.43/14.7	8960 2.42/15.4	8319 2.38/15.1	7584 2.32/14.7	5573 2.07/14.5			685	3	5454				
12378 2.59/17.9	12011 2.64/16.5	11617 2.68/15.4	11190 2.72/14.4	10724 2.75/14.8	10213 2.77/15.4	9660 2.76/16.1	9076 2.73/16.9	8434 2.69/16.8	6767 2.49/17.9			715	3	5693				
12897 2.93/19.1	12546 2.98/17.9	12171 3.02/16.7	11768 3.06/15.7	11332 3.10/15.6	10857 3.13/16.2	10343 3.13/16.9	9798 3.11/17.6	9220 3.07/18.5	7827 2.93/19.4			745	3	5932				
13330 3.24/20	12991 3.29/18.9	12630 3.33/17.8	12245 3.37/16.8	11831 3.41/16.4	11383 3.45/16.9	10899 3.46/17.6	10381 3.45/18.3	9841 3.42/19.1	8602 3.31/19.8			DP56	770	5	6131			
13936 3.70/22	13612 3.75/20	13270 3.80/19.4	12907 3.84/18.3	12520 3.88/17.4	12104 3.92/18.0	11657 3.95/18.6	11179 3.95/19.3	10676 3.93/19.9	9580 3.84/21				805	5	6410			
14542 4.20/23	14232 4.26/22	13907 4.31/21	13563 4.35/19.9	13199 4.40/19.0	12811 4.44/19.1	12396 4.48/19.6	11954 4.49/20	11485 4.48/21	10487 4.41/22	840			5	6689				
15148 4.75/24	14851 4.81/23	14540 4.86/22	14214 4.91/22	13871 4.96/21	13507 5.00/20	13120 5.04/21	12709 5.07/21	12273 5.08/22	11344 5.03/23	875			5	6967				
										DP57								
													DP58					
											DP59							
														DP60				

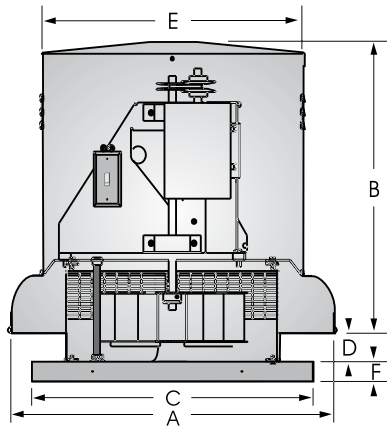
Performance/Dimensional Data

DB30

Power Ratings (BHP) does not include drive losses.
 Performance certified is for installation type A - free inlet, free outlet.
 Performance ratings include the effects of birdscreen in the airstream.
 The sound ratings shown are loudness values in fan sones @ 5' (1.5m) in a hemispherical free field calculated per AMCA Standard 301. Values shown are for free inlet fan sone levels.



Soler & Palau USA, Div. of Soler & Palau Ventilation Group, certifies that the Models DB shown herein are licensed to bear the AMCA Seal. The ratings shown are based on test and procedures performed in accordance with AMCA Publication 211 and AMCA Publication 311 and comply with the requirement of the AMCA Certified Ratings Program.



Dimensional Data										
Damper OD	Roof Opening	Curb OD	A	B	C	D	E	F	Fan Wt	Ship Wt
36	37-1/4	40-3/4	58-3/8	37	42-1/2	10	41	2-1/2	275	475

SIZE 36

DB36

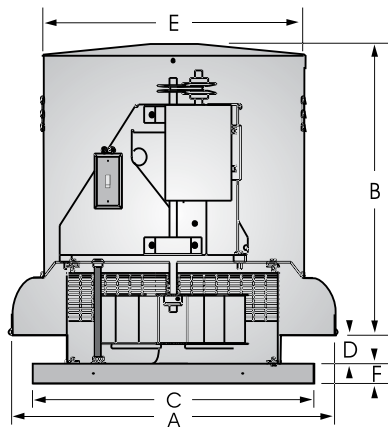
CFM / BHP @ Static Pressure / Sones										Drive Range	RPM	HP	Tip Speed		
0	1/8	1/4	3/8	1/2	5/8	3/4	7/8	1	1-1/4						
5995 .16/3.9	3550 .14/3.0	-	-	-	-	-	-	-	-	DP61	210	1/2	1945		
6708 .22/4.9	4887 .22/4.1	-	-	-	-	-	-	-	-		235	1/2	2177		
7422 .30/5.9	5964 .31/5.2	-	-	-	-	-	-	-	-		260	1/2	2408		
8136 .40/7.0	6868 .42/6.4	4443 .35/5.6	-	-	-	-	-	-	-		285	1/2	2640		
8849 .51/8.2	7708 .53/7.7	5686 .48/6.8	-	-	-	-	-	-	-		310	1/2	2871		
9420 .62/9.2	8361 .64/8.8	6793 .62/8.0	4157 .49/7.1	-	-	-	-	-	-		330	3/4	3057		
10134 .77/10.1	9166 .80/9.7	7936 .80/9.1	5730 .68/8.3	-	-	-	-	-	-		355	3/4	3288		
10562 .87/10.7	9646 .90/10.3	8521 .91/9.7	6450 .80/8.9	3321 .57/8.8	-	-	-	-	-		370	1	3427		
10990 .98/11.3	10122 1.02/10.8	9075 1.02/10.3	7268 .94/9.7	5137 .80/9.0	-	-	-	-	-		385	1	3566		
11418 1.10/11.9	10593 1.14/11.4	9607 1.15/10.9	8102 1.09/10.3	6133 .96/9.7	-	-	-	-	-		400	1-1/2	3705		
11846 1.23/12.6	11060 1.27/12.0	10120 1.28/11.6	8852 1.25/10.9	6860 1.10/10.4	3994 .84/10.2	-	-	-	-	DP62	415	1-1/2	3844		
12275 1.37/13.3	11524 1.41/12.8	10623 1.43/12.2	9521 1.41/11.6	7583 1.26/11.1	5709 1.11/10.5	-	-	-	-		430	1-1/2	3983		
12703 1.52/14.3	11985 1.56/13.6	11118 1.58/13.0	10124 1.57/12.4	8417 1.45/11.8	6731 1.31/11.3	-	-	-	-		445	1-1/2	4122		
13416 1.79/15.5	12747 1.83/15.0	11931 1.86/14.6	11059 1.86/14.0	9774 1.79/13.3	7958 1.62/12.7	6170 1.44/12.2	-	-	-		DP63	470	2	4353	
13987 2.03/16.7	13351 2.08/16.2	12574 2.10/15.7	11770 2.11/15.2	10712 2.08/14.6	8982 1.90/14.1	7516 1.76/13.5	4507 1.34/13.2	-	-			490	2	4539	
14558 2.29/17.9	13953 2.34/17.4	13218 2.37/17.0	12453 2.38/16.5	11540 2.37/15.9	10114 2.23/15.2	8485 2.05/14.7	6849 1.86/14.2	-	-			510	3	4724	
15272 2.64/19.4	14701 2.69/18.9	14015 2.73/18.5	13287 2.74/18.1	12489 2.74/17.6	11391 2.67/17.0	9739 2.47/16.4	8401 2.32/15.8	6406 2.03/15.6	-			DP64	535	3	4955
15986 3.03/21	15445 3.09/21	14803 3.12/20	14106 3.14/19.7	13387 3.15/19.3	12494 3.12/18.7	11151 2.96/18.2	9603 2.75/17.6	8338 2.59/17.1	-				560	3	5187
16556 3.36/22	16038 3.42/22	15427 3.47/22	14754 3.49/21	14078 3.50/21	13283 3.49/20	12187 3.38/19.5	10640 3.15/19.0	9371 2.99/18.5	-				580	5	5372
17698 4.11/25	17218 4.17/25	16663 4.22/24	16040 4.25/24	15416 4.27/24	14752 4.28/23	13951 4.25/23	12842 4.10/22	11372 3.85/21	8936 3.47/20				DP65	620	5
18269 4.52/26	17806 4.59/26	17275 4.64/26	16680 4.67/25	16072 4.69/25	15450 4.70/25	14727 4.69/24	13803 4.60/24	12509 4.37/23	10068 3.97/22	640				5	5928
18840 4.96/28	18393 5.03/27	17884 5.08/27	17315 5.12/27	16722 5.14/27	16130 5.16/26	15470 5.15/26	14678 5.11/25	13586 4.93/25	11030 4.46/23	660				5	6113

Power Ratings (BHP) does not include drive losses.
 Performance certified is for installation type A - free inlet, free outlet.
 Performance ratings include the effects of birdscreen in the airstream.
 The sound ratings shown are loudness values in fan sones @ 5' (1.5m) in a hemispherical free field calculated per AMCA Standard 301. Values shown are for free inlet fan sone levels.



Soler & Palau USA, Div. of Soler & Palau Ventilation Group, certifies that the Models DB shown herein are licensed to bear the AMCA Seal. The ratings shown are based on test and procedures performed in accordance with AMCA Publication 211 and AMCA Publication 311 and comply with the requirement of the AMCA Certified Ratings Program.





Dimensional Data										
Damper OD	Roof Opening	Curb OD	A	B	C	D	E	F	Fan Wt	Ship Wt
48	50-1/4	53-1/4	73	40-1/2	55	10	54-5/8	2-1/2	425	700

SIZE 42

DB42

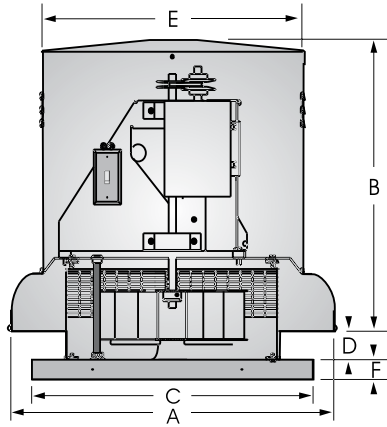
CFM / BHP @ Static Pressure / Sones										Drive Range	RPM	HP	Tip Speed
0	1/8	1/4	3/8	1/2	5/8	3/4	7/8	1	1-1/4				
8498 .22/4.8	4889 .20/4.4	-	-	-	-	-	-	-	-	DP68	180	1/2	1966
9206 .28/5.5	6287 .28/5.1	-	-	-	-	-	-	-	-		195	1/2	2129
9914 .35/6.3	7461 .36/5.9	-	-	-	-	-	-	-	-		210	1/2	2293
10622 .43/7.1	8475 .45/6.8	-	-	-	-	-	-	-	-		225	1/2	2457
11330 .52/7.9	9396 .55/7.6	4910 .40/7.4	-	-	-	-	-	-	-		240	1/2	2621
12275 .66/9.0	10579 .70/8.8	7451 .62/8.6	-	-	-	-	-	-	-		260	3/4	2839
12983 .78/9.8	11450 .83/9.5	8825 .78/9.2	-	-	-	-	-	-	-		275	3/4	3003
13691 .92/10.5	12288 .97/10.2	10034 .94/9.9	4980 .63/9.8	-	-	-	-	-	-		290	1	3167
14399 1.07/11.4	13101 1.12/11.0	11116 1.12/10.7	7740 .95/10.5	-	-	-	-	-	-		305	1	3331
15343 1.29/12.7	14142 1.35/12.3	12411 1.36/11.9	9744 1.25/11.7	-	-	-	-	-	-		325	1-1/2	3549
16051 1.48/13.6	14909 1.54/13.2	13323 1.56/12.9	11079 1.48/12.6	7073 1.16/12.6	-	-	-	-	-	340	1-1/2	3713	
16760 1.68/14.6	15670 1.75/14.3	14209 1.78/13.9	12276 1.73/13.6	9251 1.51/13.5	-	-	-	-	-	DP73	355	2	3877
17468 1.91/15.7	16424 1.97/15.4	15097 2.01/15.1	13368 1.81/14.7	10756 1.81/14.6	-	-	-	-	-		370	2	4040
17940 2.07/16.4	16925 2.13/16.0	15681 2.18/15.8	14051 2.17/15.5	11690 2.02/15.4	7879 1.61/15.3	-	-	-	-		380	2	4150
18884 2.41/17.7	17921 2.47/17.5	16818 2.54/17.2	15321 2.54/16.9	13399 2.44/16.7	10674 2.19/16.6	-	-	-	-		400	3	4368
20064 2.89/19.6	19158 2.96/19.4	18187 3.04/19.1	16827 3.05/18.9	15279 3.01/18.6	13084 2.82/18.5	10122 2.46/18.5	-	-	-		425	3	4641
20536 3.10/20	19650 3.17/20	18722 3.26/19.9	17415 3.27/19.7	15970 3.25/19.4	13969 3.08/19.3	11354 2.79/19.2	-	-	-		435	5	4750
21245 3.43/22	20388 3.50/21	19503 3.59/21	18303 3.62/21	16950 3.61/21	15203 3.49/21	12874 3.23/20	9401 2.69/20	-	-		450	5	4914
21953 3.78/23	21123 3.85/23	20276 3.95/22	19182 4.00/22	17883 3.99/22	16350 3.91/22	14281 3.69/22	11720 3.34/22	-	-		465	5	5078
22897 4.29/24	22101 4.36/24	21297 4.47/24	20323 4.53/24	19089 4.53/24	17764 4.50/24	16014 4.33/23	13804 4.04/23	10779 3.51/23	-		485	5	5296
23605 4.71/26	22832 4.78/26	22057 4.88/25	21158 4.96/25	19975 4.96/25	18753 4.95/25	17204 4.82/25	15217 4.57/25	12857 4.20/25	-		500	5	5460
23841 4.85/26	23076 4.92/26	22309 5.02/26	21432 5.11/26	20267 5.11/25	19070 5.11/25	17584 4.99/25	15675 4.75/25	13399 4.40/25	-	505	5	5515	

Power Ratings (BHP) does not include drive losses.
 Performance certified is for installation type A - free inlet, free outlet.
 Performance ratings include the effects of birdscreen in the airstream.
 The sound ratings shown are loudness values in fan sones @ 5' (1.5m) in a hemispherical free field calculated per AMCA Standard 301. Values shown are for free inlet fan sone levels.



Soler & Palau USA, Div. of Soler & Palau Ventilation Group, certifies that the Models DB shown herein are licensed to bear the AMCA Seal. The ratings shown are based on test and procedures performed in accordance with AMCA Publication 211 and AMCA Publication 311 and comply with the requirement of the AMCA Certified Ratings Program.





Dimensional Data										
Damper OD	Roof Opening	Curb OD	A	B	C	D	E	F	Fan Wt	Ship Wt
48	50-1/4	53-1/4	73	40-1/2	55	113	54-5/8	2-1/2	550	830

SIZE 48

DB48

CFM / BHP @ Static Pressure / Sones										Drive Range	RPM	HP	Tip Speed
0	1/8	1/4	3/8	1/2	5/8	3/4	7/8	1	1-1/4				
10045 .32/50	5359 .26/4.6	-	-	-	-	-	-	-	-	DP75	165	1/2	2037
10654 .39/5.5	6437 .33/5.0	-	-	-	-	-	-	-	-		175	1/2	2161
11567 .49/6.4	7829 .43/5.7	-	-	-	-	-	-	-	-	DP76	190	1/2	2347
12176 .58/7.0	8757 .52/6.3	-	-	-	-	-	-	-	-		200	3/4	2470
13275 .77/8.4	10548 .74/7.6	6116 .58/7.6	-	-	-	-	-	-	-	DP77	220	3/4	2655
14002 .88/9.1	11417 .85/8.3	7192 .69/8.1	-	-	-	-	-	-	-		230	1	2841
14611 1.00/9.8	12186 .97/9.8	8318 .82/8.6	-	-	-	-	-	-	-	DP78	240	1	2964
15524 1.19/10.6	13225 1.16/9.8	9822 1.03/9.4	5606 .80/9.8	-	-	-	-	-	-		255	1-1/2	3149
16895 1.58/11.9	14823 1.57/11.3	12444 1.49/10.7	8833 1.27/10.9	-	-	-	-	-	-	DP79	280	1-1/2	3335
17655 1.76/12.5	15564 1.72/11.9	13062 1.61/11.3	9755 1.43/11.4	5839 1.14/12.2	-	-	-	-	-		290	2	3582
18404 2.05/13.3	16508 2.04/12.8	14445 1.96/12.3	11623 1.80/12.3	7789 1.49/12.9	-	-	-	-	-	DP80	305	2	3705
19481 2.36/14.1	17556 2.32/13.7	15721 2.27/13.4	12736 2.03/13.2	9574 1.81/13.7	5892 1.47/14.3	-	-	-	-		320	3	3952
19786 2.47/14.4	17895 2.44/14.1	16124 2.38/13.8	13190 2.14/13.5	10140 1.94/14.0	6643 1.61/14.5	-	-	-	-	DP81	325	3	4014
21003 2.96/16.0	19243 2.93/15.7	17628 2.87/15.3	15033 2.64/15.0	12358 2.49/15.2	9228 2.16/15.7	5498 1.73/16.5	-	-	-		345	3	4261
22221 3.50/17.7	20583 3.48/17.3	19000 3.41/17.0	16904 3.28/16.7	14294 3.01/16.5	11528 2.76/16.9	8509 2.41/17.4	-	-	-	DP82	365	5	4508
22829 3.80/18.5	21248 3.77/18.1	19675 3.71/17.8	17808 3.61/17.5	15205 3.28/17.2	12662 3.11/17.6	9759 2.74/18.0	6350 2.28/18.6	-	-		375	5	4631
24047 4.44/20	22570 4.42/19.9	21009 4.34/19.6	19505 4.27/19.2	17037 3.92/18.9	14761 3.80/19.0	12071 3.44/19.3	9289 3.07/19.7	5656 2.48/20	-	DP83	395	5	4878
25041 5.16/22	23683 5.16/22	22249 5.14/21	20797 5.03/21	19140 4.90/21	17240 4.71/20	14643 4.37/21	11899 3.95/21	8394 3.36/22	-		415	5	5310
26178 5.73/24	24856 5.72/23	23319 5.62/23	22107 5.57/23	20293 5.43/22	17971 4.98/22	15902 4.88/22	13421 4.49/22	10900 4.09/23	-	DP84	430	7-1/2	5434
26787 6.14/25	25504 6.13/24	23978 6.03/24	22793 5.97/24	21177 5.86/23	18892 5.40/23	16856 5.26/23	14569 4.97/23	12099 4.54/23	-		440	7-1/2	5619
27700 6.79/26	26472 6.78/26	24994 6.68/25	23809 6.62/25	22433 6.53/25	20321 6.17/24	18234 5.85/24	16202 5.69/24	13814 5.24/24	8702 4.29/25	DP85	455	7-1/2	5804
28613 7.48/28	27435 7.48/27	26008 7.38/27	24815 7.30/27	23616 7.23/26	21714 6.99/26	19592 6.50/25	17715 6.40/25	15532 6.05/26	10826 5.12/26		470	7-1/2	5990

Power Ratings (BHP) does not include drive losses.
 Performance certified is for installation type A - free inlet, free outlet.
 Performance ratings include the effects of birdscreen in the airstream.
 The sound ratings shown are loudness values in fan sones @ 5' (1.5m) in a hemispherical free field calculated per AMCA Standard 301. Values shown are for free inlet fan sone levels.



Soler & Palau USA, Div. of Soler & Palau Ventilation Group, certifies that the Models DB shown herein are licensed to bear the AMCA Seal. The ratings shown are based on test and procedures performed in accordance with AMCA Publication 211 and AMCA Publication 311 and comply with the requirement of the AMCA Certified Ratings Program.





Chemical Resistance Chart

REAGENT INVOLVED	PAINT SYSTEM				
	NON-COATED 3003 ALLOY ALUMINUM	AIR DRIED ALKYD ENAMEL	BAKED EPOXY	SYNTHETIC RESIN (EISENHEISS)	PHENOLIC (HERESITE)
MAXIMUM TEMPERATURE	300°F	200°F	250°F	300°F	140°F
ABRASION (DRY)	U	S	S	F	F
MOISTURE (WATER)	S	S	S	S	S
SATURATED STEAM	S	S	S	S	U
SALT SPRAY	L	L	S	S	F
ACETIC ACID	L	S	S	S	F
ACETONE	S	U	S	U	F
ALCOHOLS	S	S	S	S	F
ALUMINUM CHLORIDE	U	S	S	S	F
ALUMINUM SULPHATE	U	S	S	S	F
AMMONIA GAS	N	S	S	N	N
AMMONIUM CHLORIDE	U	S	S	F	F
AMMONIUM HYDROXIDE	F	S	S	F	U
AMMONIUM NITRATE	F	N	S	S	L
AMMONIUM SULPHATE	U	S	S	S	L
BENZENE	S	N	S	U	F
BLEACHING COMPOUNDS	N	F	N	N	N
BORIC ACID	U	S	S	S	F
BROMINE	L	S	F	N	N
BUTANOL	N	N	S	S	F
BUTYRIC ACID	F	N	S	N	N
CALCIUM CARBONATE	S	S	S	N	N
CALCIUM CHLORIDE,WET	U	N	N	F	F
CALCIUM CHLORIDE,DRY	U	S	S	S	F
CALCIUM HYDROXIDE	U	S	S	F	F
CALCIUM HYPOCHLORITE	U	N	N	S	U
CARBOLIC ACID	F	U	F	U	F
CARBON DISULPHIDE	S	U	S	U	F
CARBON MONOXIDE	S	S	S	N	N
CARBON TETRACHLORIDE	L	U	S	U	F
CARBONIC ACID	F	S	S	S	F
CHLORINE, WET OR HOT	U	N	F	N	N
CHLORINE, DRY	U	S	S	S	F
CHLORO BENZENE	N	N	N	N	F
CHLOROFORM	F	F	S	N	N
CHROMIC ACID	U	S	F	F	U
CITRIC ACID	L	S	S	S	F
COPPER SULPHATE	U	N	N	S	F
ETHANOL	N	N	S	S	F
ETHYL ACETATE	N	N	S	F	F
ETHYLENE DICHLORIDE	N	N	F	F	F
ETHYLENE GLYCOL	F	N	N	F	F
FERRIC CHLORIDE	U	N	N	S	F
FERRIC SULPHATE	U	N	N	S	F

REAGENT INVOLVED	PAINT SYSTEM				
	NON-COATED 3003 ALLOY ALUMINUM	AIR DRIED ALKYD ENAMEL	BAKED EPOXY	SYNTHETIC RESIN (EISENHEISS)	PHENOLIC (HERESITE)
MAXIMUM TEMPERATURE	300°F	200°F	250°F	300°F	140°F
FORMALDEHYDE	F	N	S	N	F
FORMIC ACID	U	F	N	N	F
GASOLINE	F	S	S	S	F
HYDROBROMIC ACID	L	S	F	N	N
HYDROCHLORIC ACID	U	S	F	S	F
HYDROCHLORUS ACID	L	S	F	N	N
HYDROFLUORIC ACID	U	U	F	U	U
HYDROGEN PEROXIDE	F	S	S	F	U
HYDROGEN SULPHIDE	L	N	S	F	F
LACQUER SOLVENTS	S	U	S	N	N
LACTIC ACID	U	S	L	S	F
LINSEED OIL	N	N	S	S	S
METHANOL	N	N	F	F	F
METHYL ETHYL KETONE	S	N	S	U	F
METHYL ISOBUTYL KETONE	S	N	F	U	F
MINERAL SPIRITS	N	N	S	F	F
NITRIC ACID	U	S	S	F	U
NITROUS ACID	F	S	S	N	N
OLEIC ACID	S	S	S	N	N
PETROLEUM ETHER	N	N	F	F	F
PHOSPHORIC ACID	U	S	S	S	F
POTASSIUM ALUM	N	N	N	S	F
POTASSIUM CYANIDE	L	S	S	N	N
POTASSIUM HYDROXIDE	U	S	S	F	U
POTASSIUM DICHROMATE	N	N	N	N	F
POTASSIUM NITRATE	N	N	S	N	N
PYROGALLIC ACID	F	N	S	N	N
SODIUM BISULPHATE	L	N	N	S	F
SODIUM CHLORIDE	L	N	S	S	F
SODIUM CYANIDE	L	S	S	N	N
SODIUM HYDROXIDE	U	S	S	F	U
SODIUM HYPOCHLORITE	U	N	N	F	U
SODIUM SULPHATE	S	N	N	S	F
SULPHURIC ACID	U	S	S	F	F
SULPHUROUS ACID	L	S	S	S	F
SULPHUR DIOXIDE	U	S	S	F	F
SULPHUR TRIOXIDE	U	L	S	N	N
TANNIC ACID	L	S	S	S	S
TOLUENE	S	U	S	U	F
TRICHLOROETHYLENE	F	N	S	U	F
VINEGAR	L	N	N	S	U
XYLOL	S	U	S	F	F

S - Suitable for heavy concentrations of fumes, including splash or condensation.

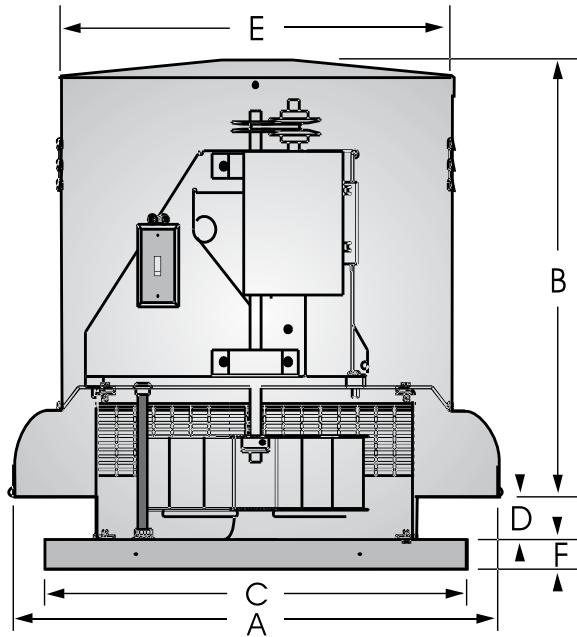
F - Suitable for mild concentrations of fumes, but no splash or condensation.

L - Suitable for light corrosion service, or intermittent exposure to light fume concentration. Not suitable if moisture, splash or condensation are present.

U - Unsatisfactory for use against corrosive agent listed.

N - No data available.

NOTE: Data presented is a summary of corrosion resistance characteristics of aluminum and the four coating systems shown. While single "letter" rating and a single temperature cannot possible describe all situations, this data is presented as a guide. Caution must be exercised where moisture and/or temperature along with a chemical reagent will be encountered.



- A. Skirt OD
- B. Height
- C. Curb Cap ID
- D. Skirt Height
- E. Motor Cover OD
- F. Curb Cap Flange
- G. Recommended Curb OD
- H. Recommended Minimum Roof Opening

Size	Dimensions (Inches)								Damper OD	Metal Gauge		
	A	B	C	D	E	F	G	H		Skirt	Cap	Motor Cover
6-8-9	20-1/2	17-1/2	16-1/2	3-1/2	16-1/8	1-3/4	14-3/4	11-1/2	11	0.063	0.063	0.050
11-12-14	28-3/8	23	24	3-1/2	22-1/2	2	22-1/4	19-1/2	18	0.090	0.063	0.050
16	32-1/4	24	24	6	26-1/4	2-1/2	22-1/4	19-1/2	18	0.090	0.063	0.050
18	32-1/4	24	29-1/2	4-1/2	26-1/4	2-1/2	27-3/4	24-3/4	24	0.090	0.063	0.050
20	36-3/4	24-1/2	29-1/2	4-1/2	26-1/4	2-1/2	27-3/4	24-3/4	24	0.090	0.063	0.050
24	41-1/4	26-1/2	35-3/4	8-1/2	30	2-1/2	33-3/4	30-3/4	30	0.090	0.063	0.050
30	58-3/8	37	42-1/2	5-1/2	41	2-1/2	40-3/4	37-3/4	36	0.100	0.063	0.050
36	58-3/8	37	42-1/2	10	41	2-1/2	40-3/4	37-3/4	36	0.100	0.063	0.050
42	73	40-1/2	55	10-1/2	54-5/8	2-1/2	53-1/4	50-1/4	48	0.100	0.063	0.050
48	73	40-1/2	55	13	54-5/8	2-1/2	53-1/4	50-1/4	48	0.100	0.063	0.050