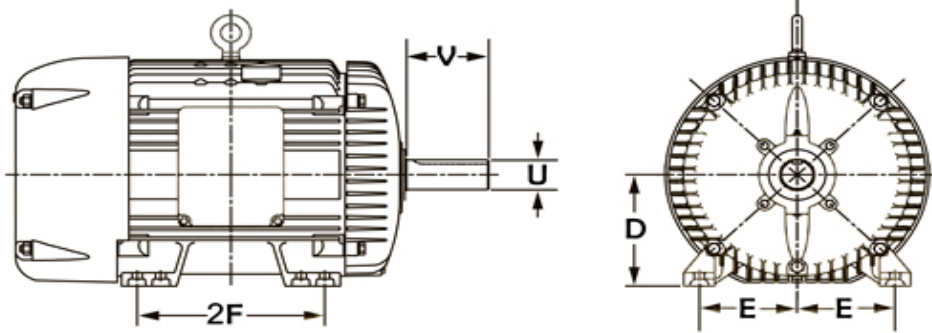


James Electric

NEMA MOTOR FRAME CHART



Frame Size	U	D	E	2F	V Min.
42	3/8"	2-5/8"	1-1/4"	1-11/16"	1-1/8"
48	1/2"	3"	2-1/8"	2-3/8"	1-1/2"
56	5/8"	3-1/2"	2-7/16"	3"	1-7/8"
56H				5"	
143T	7/8"	3-1/2"	2-3/4"	4"	2-1/4"
145T				5"	
182	7/8"			4-1/2"	2"
184	7/8"	4-1/2"	3-3/4"	5-1/2"	2"
182T	1-1/8"			4-1/2"	2-1/2"
184T	1-1/8"			5-1/2"	2-1/2"
213	1-1/8"			5-1/2"	2-3/4"
215	1-1/8"	5-1/4"	4-1/4"	7"	2-3/4"
213T	1-3/8"			5-1/2"	3-1/8"
215T	1-3/8"			7"	3-1/8"
254	1-1/8"			8-1/4"	3-1/8"
254U	1-3/8"			8-1/4"	3-1/2"
256U	1-3/8"	6-1/4"	5"	10"	3-1/2"
254T	1-5/8"			8-1/4"	3-3/4"
256T	1-5/8"			10"	3-3/4"
284	1-1/4"			9-1/2"	3-1/2"
284U	1-5/8"			9-1/2"	4-5/8"
286U	1-5/8"			11"	4-5/8"
284T	1-7/8"	7"	5-1/2"	9-1/2"	4-5/8"
286T	1-7/8"			11"	4-5/8"
284TS	1-5/8"			9-1/2"	3"
286TS	1-5/8"			11"	3"

Frame Size	U	D	E	2F	V Min.
324	1-5/8"			10-1/2"	4-5/8"
326	1-5/8"			12"	4-5/8"
324U	1-7/8"			10-1/2"	5-3/8"
326U	1-7/8"	8"	6-1/4"	12"	5-3/8"
324T	2-1/8"			10-1/2"	5"
326T	2-1/8"			12"	5"
324TS	1-7/8"			10-1/2"	3-1/2"
326TS	1-7/8"			12"	3-1/2"
364	1-7/8"			11-1/4"	5-3/8"
365	1-7/8"			12-1/4"	5-3/8"
364U	2-1/8"			11-1/4"	6-1/8"
365U	2-1/8"	9"	7"	12-1/4"	6-1/8"
364T	2-3/8"			11-1/4"	5-5/8"
365T	2-3/8"			12-1/4"	5-5/8"
364TS	1-7/8"			11-1/4"	3-1/2"
365TS	1-7/8"			12-1/4"	3-1/2"
404	2-1/8"			12-1/4"	6-1/8"
405	2-1/8"			13-3/4"	6-1/8"
404U	2-3/8"			12-1/4"	6-7/8"
405U	2-3/8"	10"	8"	13-3/4"	6-7/8"
404T	2-7/8"			12-1/4"	7"
405T	2-7/8"			13-3/4"	7"
404TS	2-1/8"			12-1/4"	4"
405TS	2-1/8"			13-3/4"	4"
444	2-3/8"			14-1/2"	6-7/8"
445	2-3/8"			16-1/2"	6-7/8"
444U	2-7/8"			14-1/2"	8-3/8"
445U	2-7/8"			16-1/2"	8-3/8"
444T	3-3/8"			14-1/2"	8-1/4"
445T	3-3/8"	11"	9"	16-1/2"	8-1/4"
447T	3-3/8"			20"	8-1/4"
449T	3-3/8"			25"	8-1/4"
444TS	2-3/8"			14-1/2"	4-1/2"
445TS	2-3/8"			16-1/2"	4-1/2"
447TS	2-3/8"			20"	4-1/2"
449TS	2-3/8"			25"	4-1/2"