

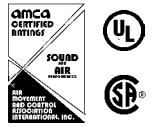
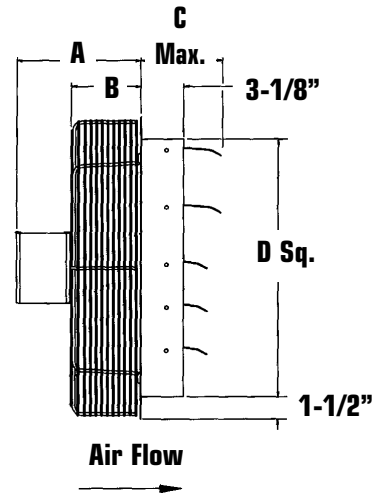
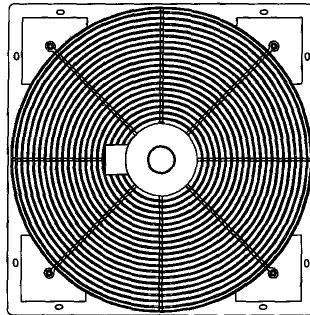
# Direct Drive Propeller Fans

## Corrosion-Resistant Shutter Fans

Corrosion-resistant shutter fans are designed for use in corrosive atmospheres such as chemical plants, manufacturing facilities, poultry operations and swine confinement operations. They can be used for applications containing non-hazardous concentrations of ammonia, carbon tetrachloride, detergent, dimethyl formamide, methylene chloride, mineral oil, sodium chloride, sodium hydroxide, acetic acid, hydrochloric acid, nitric acid, phosphoric acid and sulfuric acid. They are not designed for laboratory hood exhausts.

### Features and Specifications

- Fiberglass shutter and fiberglass reinforced polypropylene fan blades resist fumes from hydrogen sulfide and ammonia
- Corrosion-resistant stainless steel pivots and hardware
- Epoxy coated wire guards comply with OSHA regulations
- Air deliveries are based on AMCA test codes
- Totally enclosed, epoxy coated, 115V motors are not speed controllable
- Shipped completely assembled



Fantech, Inc. and Systemair Mfg. Inc. certify that the Corrosion-Resistant Shutter Fans shown herein are licensed to bear the AMCA Seal. The ratings shown are based on tests and procedures performed in accordance with AMCA Publication 211 and AMCA Publication 311 and comply with the requirements of the AMCA Certified Ratings Program.

Model No.	Prop. Dia. (In.)	Square Opening Required (In.)	Dimensions (In.)			
			A	B	C	D
2SCR1061	10	10-1/2	8	3-1/4	5-1/4	10
2SCR1231	12	13	8-3/4	3-1/4	6-1/2	12
2SCR16A1	16	17	8-3/4	3-1/4	6-1/2	16
2SCR18B1	18	19	12	4-1/2	6-1/2	18
2SCR20C1	20	21	11-1/2	4	6-1/2	20
2SCR24D1	24	25	11-3/4	4	6-1/2	24

Model No.	Prop. Dia. (In.)	HP	Nominal RPM	Full Load Amps	Sones @ 5 Ft 0.0" SP	CFM Air Delivery				Ship Wt. (Lbs.)
						0.0" SP	0.125" SP	0.250" SP	0.375" SP	
2SCR1061	10	1/20	1625	1.9	12.3	524	379	199	—	19
2SCR1231	12	1/8	1645	1.9	13.4	1100	799	636	451	20
2SCR16A1	16	1/6	1535	2.1	15.7	2005	1678	1069	764	24
2SCR18B1	18	1/4	1120	4.1	12.5	2790	1961	1427	604	31
2SCR20C1	20	1/3	1110	4.9	13.7	3642	2838	2121	2120	36
2SCR24D1	24	1/2	1115	6.7	17.4	4876	4197	2562	2168	45

(\*) Performance certified is for installation type A: Free Inlet, Free Outlet. Speed (RPM) shown is nominal. Performance is based on actual speed of test. Performance ratings include the effects of shutter and guard.

(\*\*) The sound ratings shown are loudness values in fan sones at 5 ft. (1.5m) in a hemispherical free field calculated per AMCA Standard 301. Values shown are for Installation Type A, hemispherical sone levels.