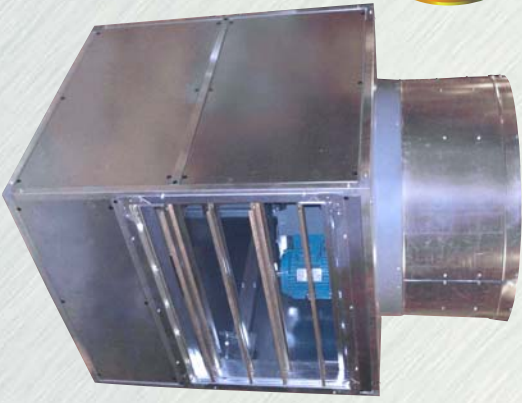


NEW

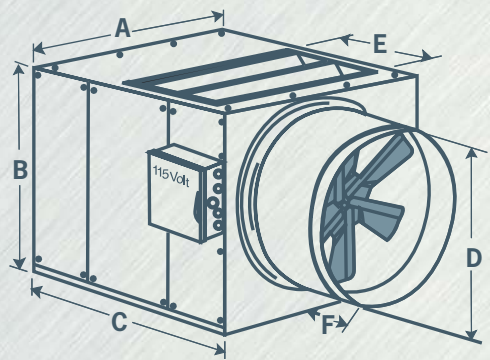
JFHVA AIR MAKE-UP JET FANS

Provides significant energy savings by inexpensively distributing make-up air strategically and comfortably throughout a building.

Air Make-Up Jet Fan systems utilize a propeller fan in conjunction with a modulating face and by-pass control dampers to mix cold outside air with warm inside air, which results in inexpensive, tempered make-up air that can be distributed evenly throughout the work space, providing greater comfort and energy savings.



DIMENSIONS



Fan Size	A	B	C	D	E	F
24"	29 3/4	29 3/4	36 1/8	25	17	18 7/8
30"	36	36	44	31	23 1/4	18 7/8
36"	41 3/4	41 3/4	44	37	24 3/4	26 3/4
42"	48	48	48	42 7/8	28 3/4	24 1/4
48"	54	54	54	48 7/8	32 3/4	27 1/4

*Please note this fan is currently under review and the dimensions may change. Please call for details.

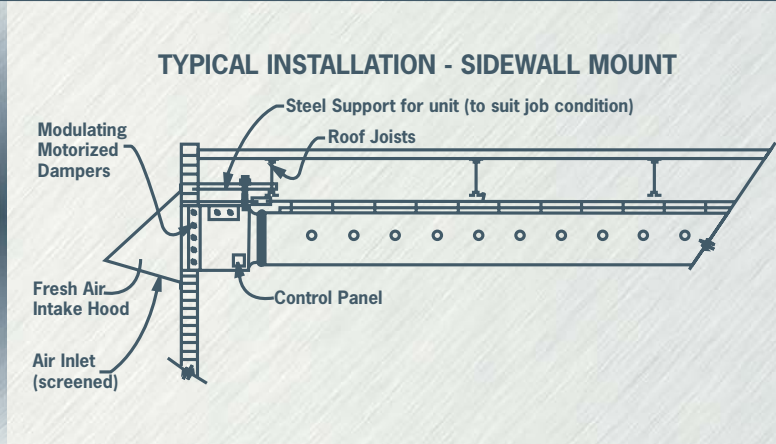
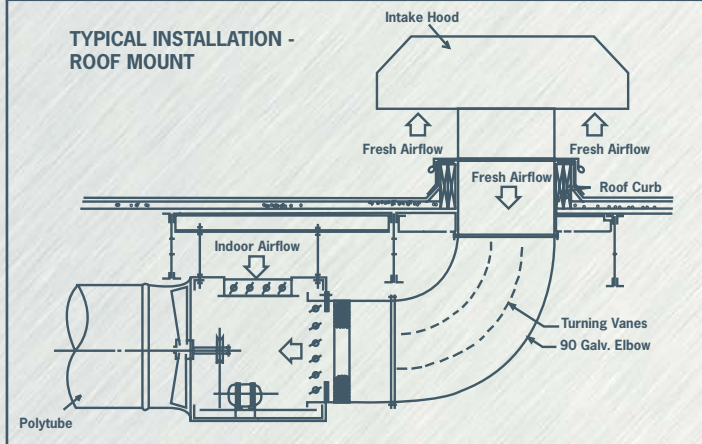
FEATURES

- Sturdily constructed of galvanized steel with cast aluminum fan blades.
- Outlet duct with straightening vanes to attach air tube.
- TEFC motors are standard.
- Adjustable motor base.
- Access doors on both sides with a large access door hinged and latched on bottom.
- Face and bypass dampers.
- Modulating damper motors.
- Transformers.
- Remote thermostat.
- NEMA control box enclosure.
- Optional construction available.

	MODEL #		RPM	H.P.	CFM	dBA @ 5 ft.
	SINGLE PHASE	THREE PHASE				
24"	JFHVA24FBC10075	JFHVA24FBC30075*	1180	3/4	4700	68
	JFHVA24FBC10100	JFHVA24FBC30100*	1295	1	5690	70
	JFHVA24FBC10150	JFHVA24FBC30150*	1475	1 1/2	7000	73
30"	JFHVA30FBC10100	JFHVA30FBC30100*	965	1	6610	69
	JFHVA30FBC10150	JFHVA30FBC30150*	1095	1 1/2	9140	72
	JFHVA30FBC10200	JFHVA30FBC30200*	1225	2	11100	74
36"	JFHVA36FBC10150	JFHVA36FBC30150*	830	1 1/2	8430	72
	JFHVA36FBC10200	JFHVA36FBC30200*	910	2	12190	74
	JFHVA36FBC10300	JFHVA36FBC30300*	1045	3	16020	78
42"	JFHVA42FBC10200	JFHVA42FBC30200*	770	2	11320	74
	JFHVA42FBC10300	JFHVA42FBC30300*	895	3	17680	76
	JFHVA42FBC10500	JFHVA42FBC30500*	1005	5	21810	79
48"	JFHVA48FBC10200	JFHVA48FBC30200*	645	2	11070	71
	JFHVA48FBC10300	JFHVA48FBC30300*	745	3	17880	74
	JFHVA48FBC10500	JFHVA48FBC30500*	885	5	24690	79
	JFHVA48FBC10750	JFHVA48FBC30750*	1005	7 1/2	29810	82

For three phase motors, substitute "*" with "M" for 208-230/460 volt or "P" for 575 volt
 OPTIONAL CONSTRUCTION: "T" - Jet Fan with Cabinet, Snout, and Straightening Vanes;
 "FOC" - Same as above, but with a Face Damper & Controls;
 "FBC" - Fan complete with Face and Bypass & Controls (standard)

TYPICAL INSTALLATIONS



OPTIONS

- Polyethylene Fabric Ducts
- Reducer
- Cables
- Intake Wall & Roof Hoods
- Drawband
- Bladder
- Face Dampers
- Roof Curb
- Hardware Kit