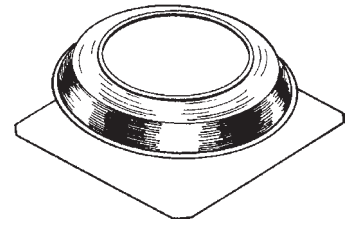


MODEL 345 ROOF MOUNTED POWERED ATTIC VENTILATOR



Powerful and easy to install, this unit supplements or replaces air conditioning by removing the blanket of hot, trapped air from attics - automatically.

FEATURES

- Precision balanced 14" (356 mm) metal blade for maximum air flow - minimum sound level.
- ABS plastic dome provides ultraviolet protection and superior durability.
- Thick metal flashing - allows for nailing and hot tar application
- Mesh bird screen.
- Built-in adjustable thermostat - for automatic operation at your chosen temperature level.
- Thermally protected motor.
- Mounts easily between rafters or studs - installation template is included.

TYPICAL SPECIFICATION

Ventilator shall be Broan Model 345.

Ventilator shall have metal blade and flashing plate. Bird screen to be included.

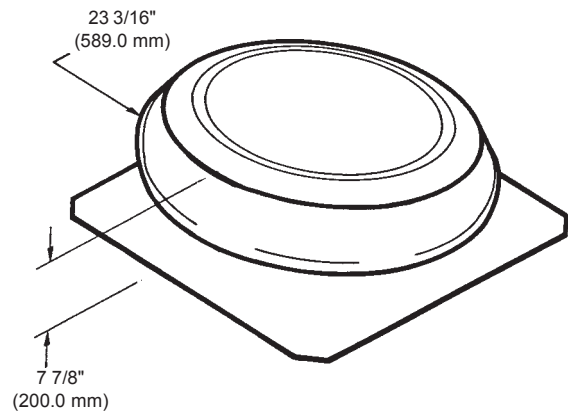
Dome to be ultraviolet resistant plastic. Motor to be thermally protected. RPM not to exceed 1100.

Ventilator shall have a built-in adjustable thermostat and mount easily between rafters or studs.

Air delivery shall be no less than 1200 CFM (566 L/s). Unit shall be CSA certified.

SPECIFICATIONS

VOLTS	AMPS	RPM	CFM (L/s)	DIA.	DOME HEIGHT
120	3.2	1100	1200 (566)	23 3/16" (589 mm)	7 7/8" (200 mm)



Broan-NuTone Canada Inc., Mississauga, Ontario, Canada L5T 1H9

REFERENCE	QTY.	REMARKS	Project
			Location
			Architect
			Engineer
			Contractor
			Submitted by Date